

**GENERAL INFORMATION**

The present *spare parts* order exactly the right spare parts.

When ordering specify:

- 1) the part's code number followed by its description;
- 2) the motorcycle's serial number, stamped on the steering head.

Reference to right and left apply to the vehicle in terms of its direction of movement.

**VALIDITY**

- f.m.** Until V.I.N.
- d.m.** From V.I.N.
- f.m.m.** Up to engine number
- d.m.m.** From engine number

- RED motorcycle
- BLACK motorcycle
- ▲ YELLOW motorcycle
- ◆ GREY motorcycle
- ▼ BLEU motorcycle

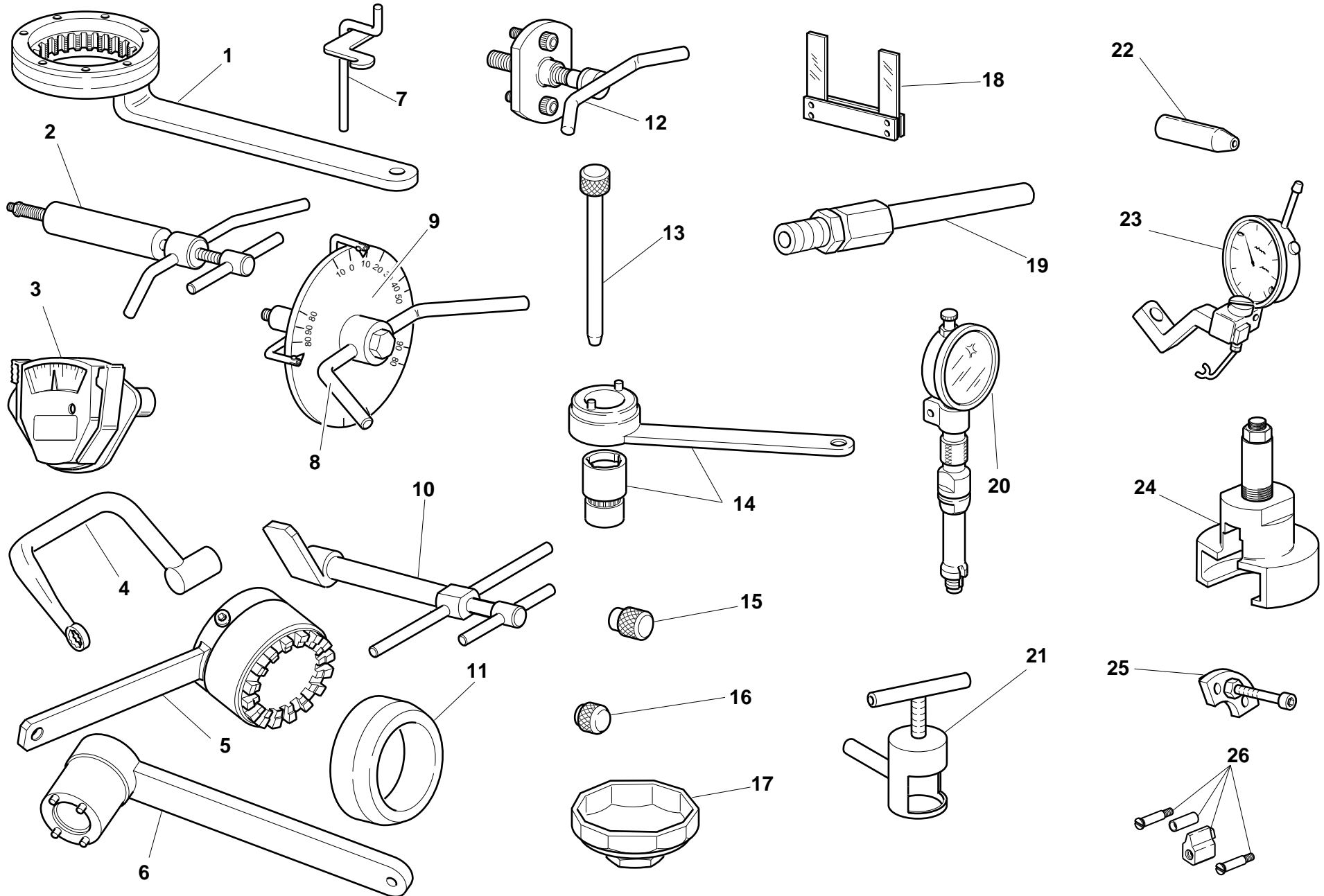
*All data are subject to modification without prior notice.*

**Ducati Motor S.p.A.**  
*Uffici Commerciali Amministrativi:*  
*Via A. Cavalieri Ducati n. 3*  
*40132 Bologna, Italy*  
*Telefono 051 641311*  
*Fax 051 406580*  
*Internet [www.ducati.com](http://www.ducati.com)*




page	CONTENTS
4 001	WORKSHOP SPECIAL TOOLS
6 001.1	WORKSHOP SPECIAL TOOLS
8 001.2	DIAGNOSIS TESTER MATHESIS
10 002	GEARCHANGE
12 003	GEAR-BOX
14 004	CLUTCH
16 005	CLUTCH COVER
18 006	CRANKSHAFT
20 007	CYLINDERS - PISTONS
22 008	TIMING
24 009	FILTERS AND OIL PUMP
26 010	HALF CRANKCASES
28 011	ALTERNATOR COVER
30 012	ELECTRIC STARTER AND IGNITION
32 013	HEAD : TIMING
34 014	VERTICAL HEAD
36 015	HORIZONTAL HEAD
38 016	INLET DUCT
40 017	STANDS
42 018	ELECTRIC SYSTEM
44 019	BATTERY BOX MOUNT
46 020	EXHAUST SYSTEM
48 021	INSTRUMENT PANEL
50 022	FRONT HEAD-LIGHT
52 023	PLATE HOLDER - REAR LIGHT
54 024	FRONT FORK
56 025	FRONT AND REAR WHEELS
58 026	HALF HANDLEBARS
60 027	CLUTCH CONTROL
62 028	FRONT BRAKE
64 029	REAR BRAKE
66 030	FRAME
68 031	GEARCHANGE LEVER - FOOT REST
70 032	REAR FORK
72 033	REAR SUSPENSION
74 034	AIR INDUCTION - OIL VENT
76 035	OIL COOLER
78 036	FUEL TANK
80 037	FUEL SYSTEM
82 038	SEAT
84 039	HEADLIGHT FAIRING
86 040	FUEL INFEEED
88 041	MARKING PLATES

DRAWING **001** WORKSHOP SPECIAL TOOLS

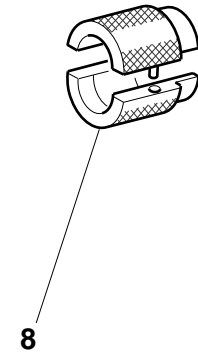
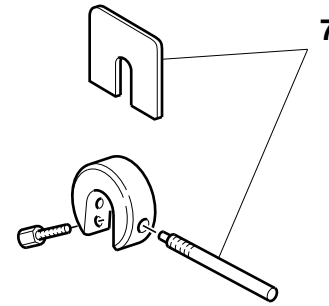
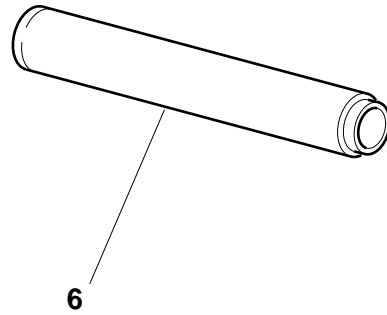
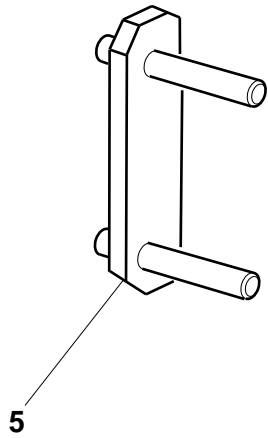
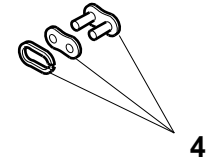
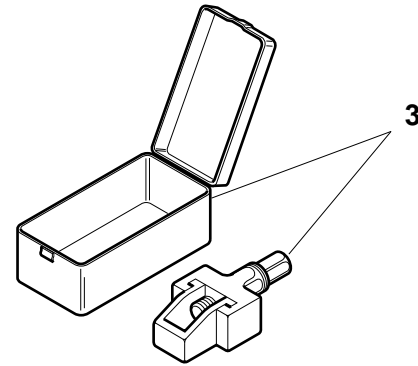
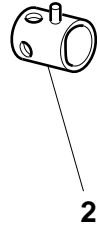
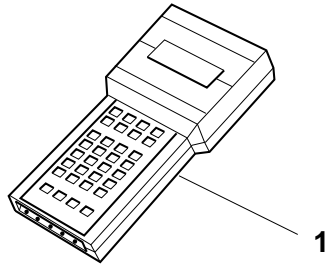


DRAWING **001** WORKSHOP SPECIAL TOOLS


NOTES	NO.	CODE NO.	DESCRIPTION	VALIDITY	Q.TY	
	1	88713.0146	Frame-engine grounding cable		1	
	2	88713.0120	Rocker shaft extractor		1	
	3	051.2.001.1A	Torque wrench for timing belt		1	
	4	88713.1139	Head nuts holder wrench		1	
	5	88713.1419	Alternator holder wrench for tightening nut		1	
	6	88713.0137	Crankshaft gear holder wrench for tightening nut		1	
	7	88713.0143	Tool for assembling closing rocker and spring		1	
	8	98112.0002	Degree wheel		1	
	9	88713.0123	Degree wheel holder tool for ignition advance check		1	
	10	88713.1215	Torque wrench for timing belt		1	
	11	88700.5665	Sleeve for installing clutch bell gear		1	
	12	88713.0144	Extractor for removal of chain/generator cover		1	
	13	88713.0262	Pin for assembling rocker arms		1	
	14	88700.5644	Timing belt rollers holder wrench		1	
	15	0000.44119	Spacer for checking lower valve shim		1	
	16	0000.44120	Spacer for checking lower valve shim		1	
	17	0675.03.210	Wrench for removing oil filter cartridge		1	
	18	88765.1000	Fork feeler gauge 0.1 mm		1	
	18	88765.1005	Fork feeler gauge 0.2 mm		1	
	18	88765.1006	Fork feeler gauge 0.3 mm		1	
	19	88713.1010	Union for exhaust gas suction		1	
	20	88765.0968	T.D.C. control gauge		1	
	21	88713.1332	Extractor bushing bearing inner ring		1	
	22	88700.5749	Crankcases assembling cap		1	
	23	88765.1058	Valve lift gauge		1	
	24	88713.1502	Extractor for primary drive gear		1	

NOTES	NO.	CODE NO.	DESCRIPTION	VALIDITY	Q.TY	
	25	88713.1091	Plate for positioning gear engagement fork		1	
	26	88765.1086	Conversion kit for 4V belts tensioning tool		1	

DRAWING **001.1** WORKSHOP SPECIAL TOOLS

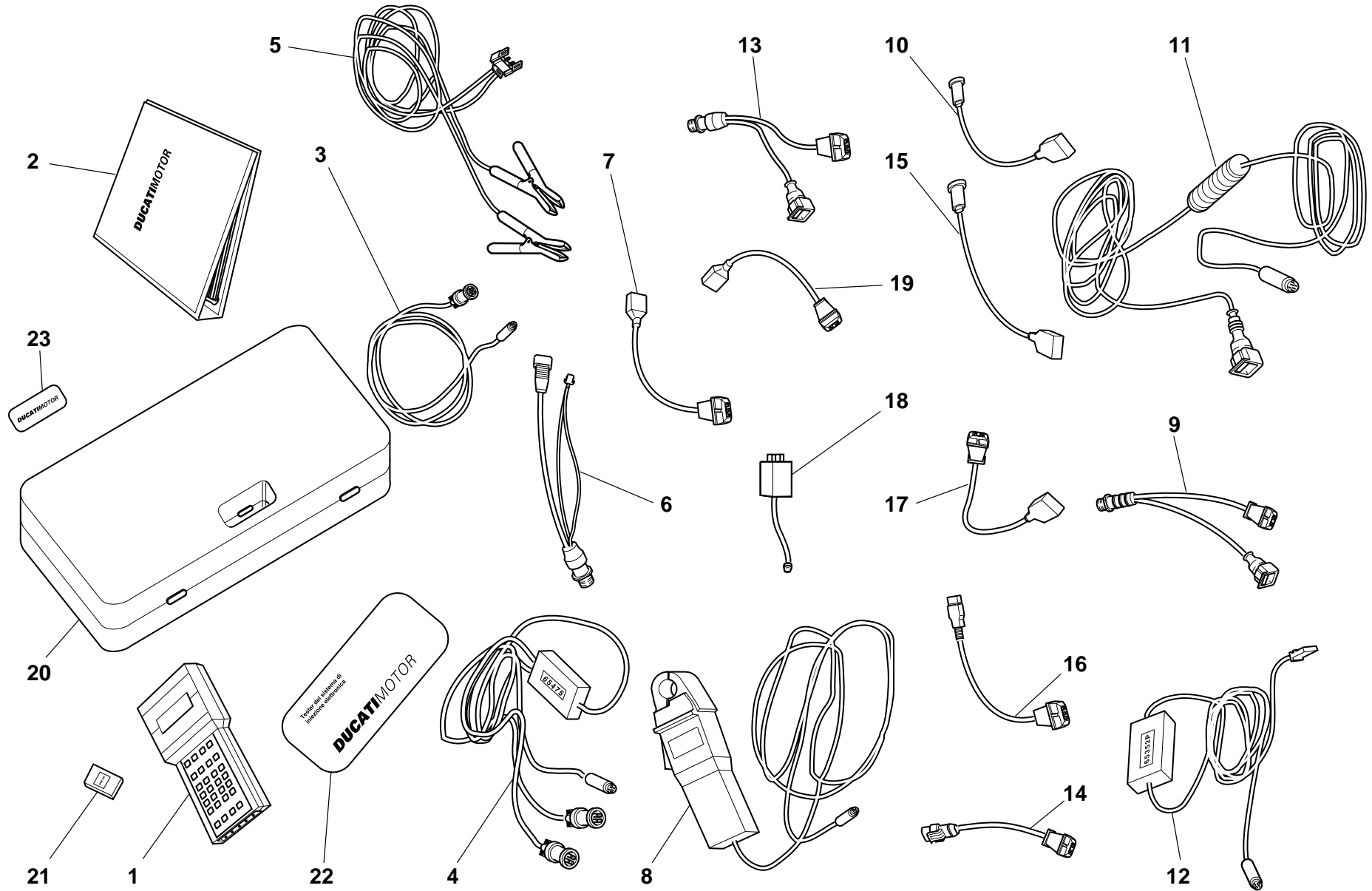


DRAWING **001.1** WORKSHOP SPECIAL TOOLS

NOTES	NO.	CODE NO.	DESCRIPTION	VALIDITY	Q.TY	
I	1	88765.1068	Check instrument		1	
GB	1	88765.1069	Check instrument		1	
D	1	88765.1070	Check instrument		1	
F	1	88765.1071	Check instrument		1	
E	1	88765.1072	Check instrument		1	
	2	0000.70139	Wrench for front wheel spindle		1	
	3	88713.1344	Tool for assembling chain		1	
	4	677.4.002.1A	Coupling		1	
	5	88713.1515	Frame/engine mount		1	
	6	88713.1072	Stopper for driving the half bearing of the steering head base		1	
	7	88713.0957	Tool for holding SHOWA fork spacer		1	
	8	88713.1096	Tool for overhauling SHOWA forks - assembling seal ring		1	


NOTES	NO.	CODE NO.	DESCRIPTION	VALIDITY	Q.TY	
-------	-----	----------	-------------	----------	------	---


DRAWING 001.2 DIAGNOSIS TESTER MATHESIS



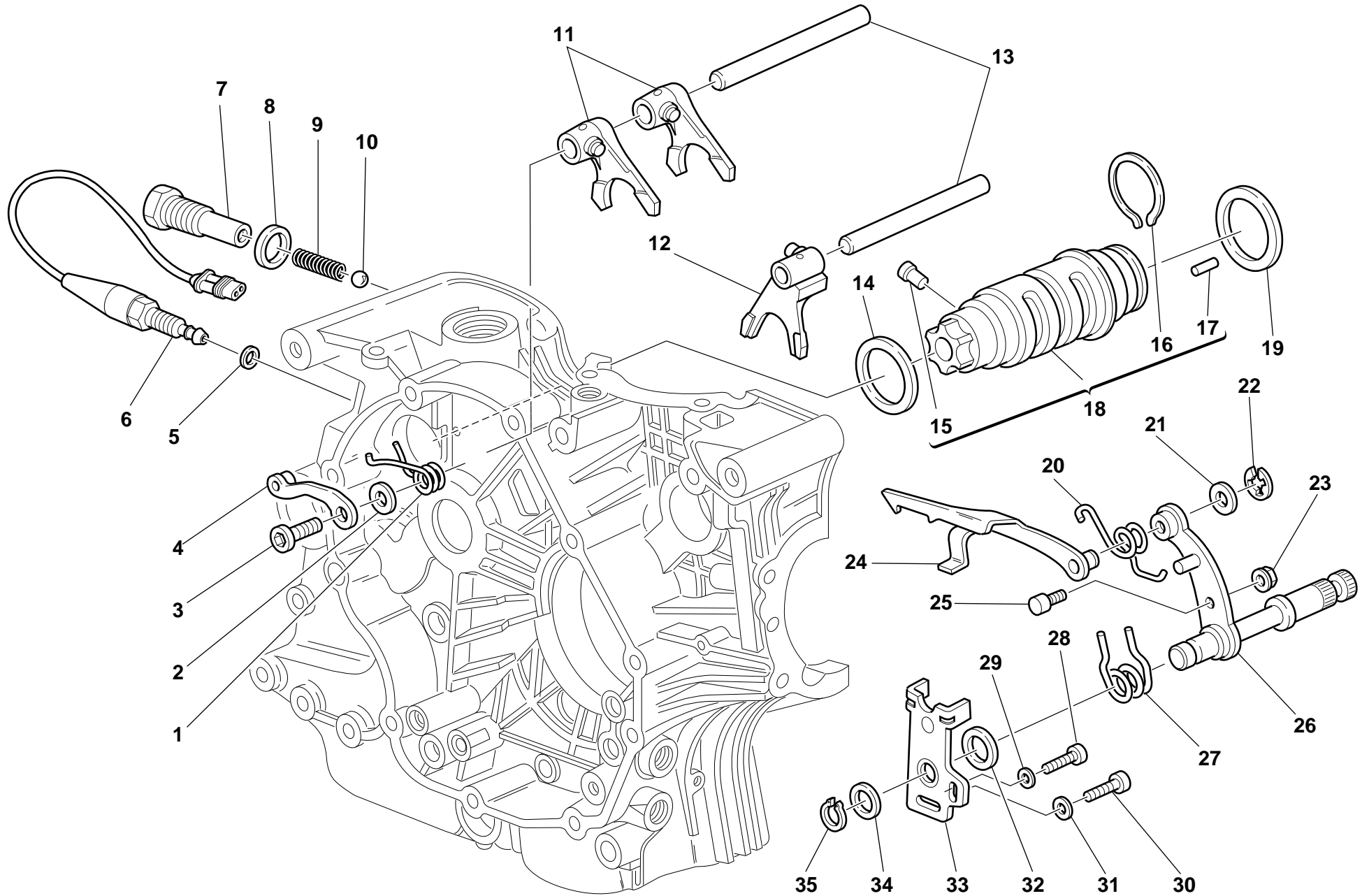


DRAWING **001.2** **DIAGNOSIS TESTER MATHESIS**

NOTES	NO.	CODE NO.	DESCRIPTION	VALIDITY	Q.TY	
	1	88765.1126Z	Bare Mathesis		1	
	2	914.7.023.1A	Italian manual		1	
	2	914.7.023.1B	English manual		1	
	2	914.7.023.1C	German manual		1	
	2	914.7.023.1D	Franch manual		1	
	2	914.7.023.1E	Spanish manual		1	
	3	88765.1126R	Main cable Mathesis		1	
	4	88765.1126A	Pickup Control cable		1	
	5	88765.1126Q	Battery mains cable		1	
	6	88765.1126	Mains cable adapter for self diagnosis		1	
	7	88765.1126N	Sensor for absolute pressure sampling		1	
	8	88765.1126V	Amperometer plier		1	
	9	88765.1126E	Adapter for 3 wires Pickup test cable		1	
	10	88765.1126P	Sensor for air temperature sampling		1	
	11	88765.1126C	Cable for potentiometer adjustment		1	
	12	88765.1126B	Test cable and speed indicator adjustment		1	
	13	88765.1126F	Adapter for 2 wires Pickup test cable		1	
	14	88765.1126D	Adapter for potentiometer adjustment		1	
	15	552.4.028.1A	Sensor for small throttle potentiometer sampling		1	
	16	88765.1126H	Sensor for throttle potentiomer sampling		1	
	17	88765.1126G	Sensor for air/water temperature sampling		1	
	18	88765.1126M	Sfety remote switch		1	
	19	88765.1126L	2 Wires sampling Pickup sensor		1	
	20	88765.1126U	Case with sponge		1	
	21	88765.1073	Italian memory card		1	
	21	88765.1074	English memory card		1	


NOTES	NO.	CODE NO.	DESCRIPTION	VALIDITY	Q.TY	
	21	88765.1075	German memory card		1	
	21	88765.1076	French memory card		1	
	21	88765.1077	Spanish memory card		1	
	22	88765.1126S	DUCATI sticker for case		1	
	23	88765.1126T	DUCATI sticker RH/LH side		1	

DRAWING 002 GEARCHANGE

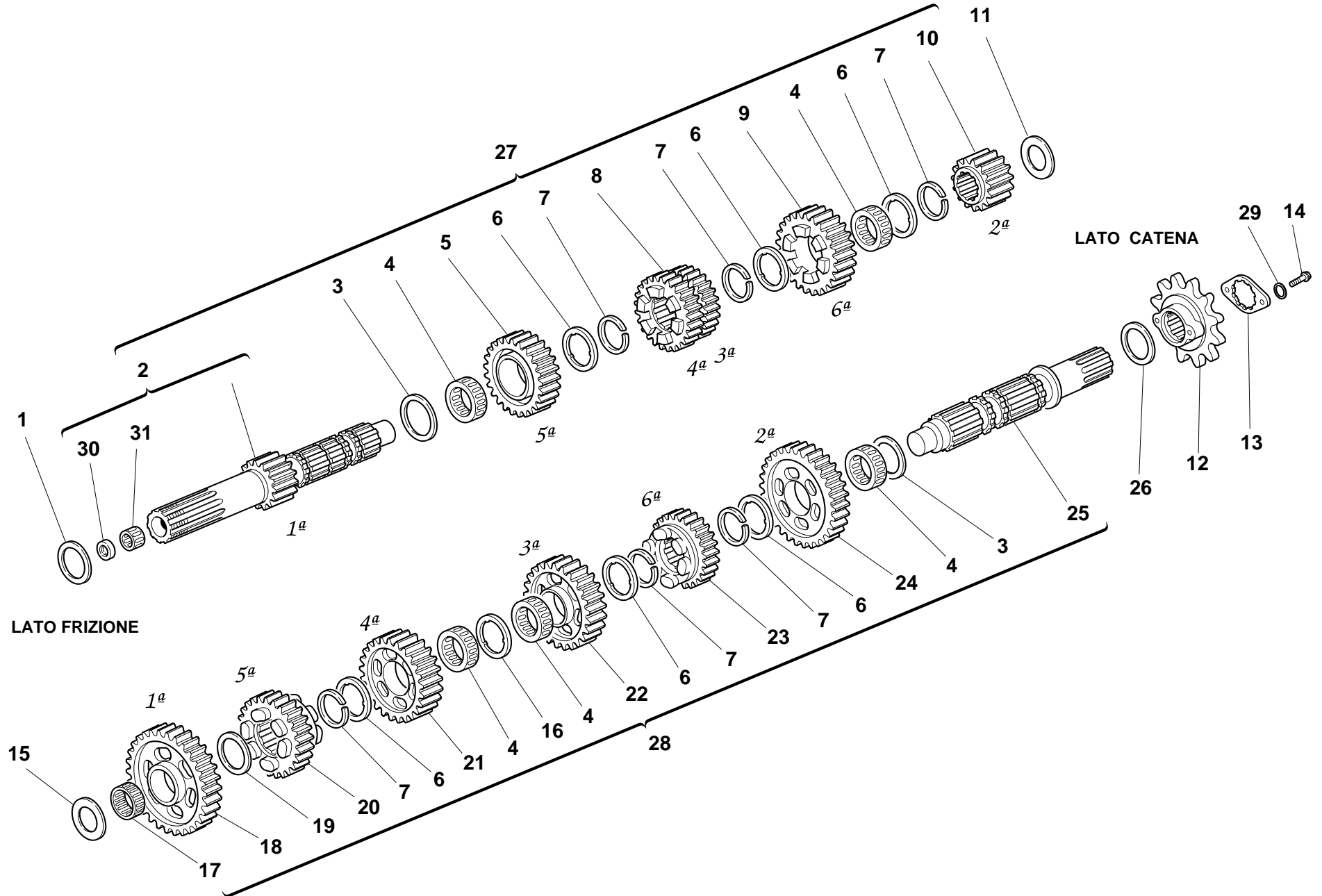


DRAWING **002** GEARCHANGE

NOTES	NO.	CODE NO.	DESCRIPTION	VALIDITY	Q.TY	
	1	799.1.049.1A	Return spring		1	
	2	852.1.053.1A	Washer		1	
	3	779.1.039.1A	Special screw		1	
	4	455.2.003.1A	Gear stopper assembly		1	
	5	0150.92.280	Gasket th.2		1	
	5	0504.03.085	Gasket th.1,5		1	
	5	420.2.000.8A	Copper gasket		1	
	5	852.1.111.1A	Gasket th.0.5		1	
	6	539.4.020.1A	Switch		1	
	7	0660.13.133	Push rod holder		1	
	8	0272.91.090	Gasket		1	
	9	0660.13.143	Gear selector spring		1	
	10	76835.1134	Ball		1	
	11	180.1.001.1A	1st,4th-2nd,3rd gear selector fork		2	
	12	180.1.002.1A	5th,6th gear selector fork		1	
	13	0660.13.070	Fork pin		2	
	14	852.1.005.1A	Shim th. 1		1	
	15	0660.13.045	Neutral light operating pin		1	
	16	882.1.006.1A	Needle retaining ring (square cross-section)		1	
	17	821.1.070.1A	Special roller (square cross-section)		6	
	18	182.2.006.2B	Complete gearbox drum		1	
	19	0660.13.060	Shim th. 1		1	
	19	852.1.094.1A	Shim th. 0.9		1	
	20	799.1.025.1A	Fork return spring		1	
	21	0400.09.050	Shim th. 0.5		1	
	21	0765.92.205	Shim th. 0.2		2	


NOTES	NO.	CODE NO.	DESCRIPTION	VALIDITY	Q.TY	
	22	0214.07.350	Ring		1	
	23	750.5.001.1A	Nut		1	
	24	180.1.008.1A	Gearbox drum control fork		1	
	25	0660.13.165	Gearchange lever pin		1	
	26	821.1.001.1A	Pin with gearchange lever		1	
	27	0799.13.110	Gearchange lever return spring		1	
	28	60N102509	Screw		1	
	29	462.3.003.8A	Washer		1	
	30	771.5.122.2B	Screw		1	
	31	462.3.003.7A	Washer		1	
	32	881.1.012.1A	Centering ring		1	
	33	826.1.009.1A	Stopper plate		1	
	34	0400.29.125	Shim th. 0.2		2	
	34	0400.29.126	Shim th. 0.5		1	
	35	73500.1542	Circlip		1	

DRAWING 003 GEAR-BOX

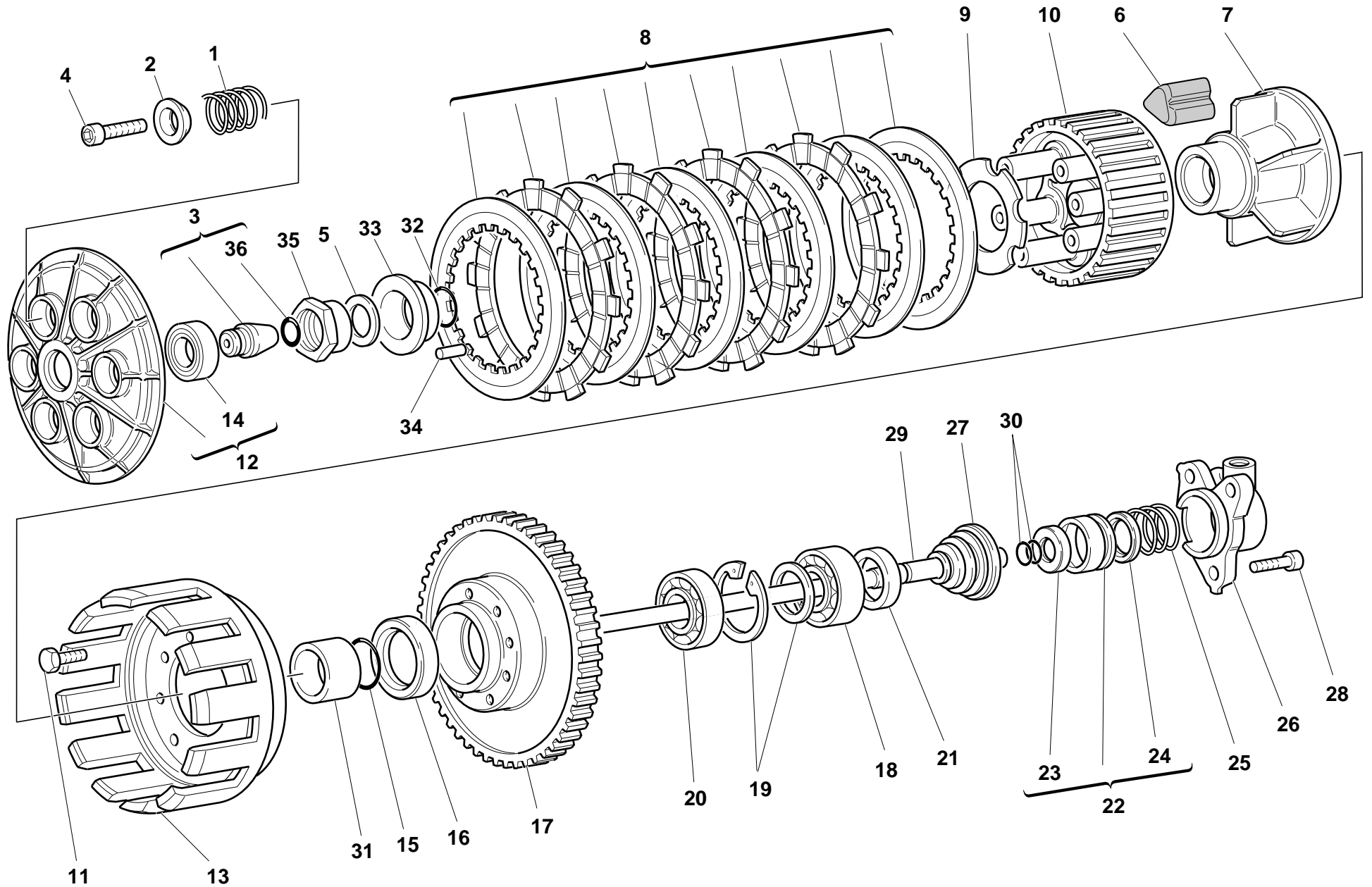


DRAWING **003** GEAR-BOX

NOTES	NO.	CODE NO.	DESCRIPTION	VALIDITY	Q.TY	
	1	0251.47.050	Shim th. 1		1	
	1	0251.47.054	Shim th. 1.2		1	
	1	852.1.108.1AH	Shim th. 0.9		1	
	1	852.1.108.1AL	Shim th. 1,1		1	
	1	852.1.108.1AN	Shim th. 1,3		1	
	2	150.2.006.1A	Gearbox main shaft		1	
	3	0670.16.150	Shim th. 0.5		2	
	4	701.4.005.1A	Needle bearing		5	
	5	172.1.004.1C	Driving gear 5th sp.		1	
	6	856.1.001.1A	Grooved washer th. 0.5		6	
	7	0670.16.145	Snap ring		6	
	8	172.1.003.1C	Driving gear 3rd/4th sp.		1	
	9	172.1.005.1C	Driving gear 6th sp.		1	
	10	172.1.002.1B	Driving gear 2nd sp.		1	
	11	0670.16.163	Shim th. 1.8		1	
	11	0670.16.164	Shim th. 2		1	
	11	713.1.014.1A	Shim th. 1.5		1	
	11	713.1.014.1B	Shim th. 1.7		1	
	11	713.1.014.1E	Shim th. 1.6		1	
	11	713.1.014.1F	Shim th. 1.9		1	
	12	449.1.035.1A	Chain sprocket Z=15		1	
	13	826.1.011.1A	Sprocket keep plate		1	
	14	771.5.040.0C	Screw		2	
	15	0670.16.164	Shim th. 2		1	
	15	0670.16.165	Shim th. 2.2		1	
	15	0670.16.184	Shim th. 1		1	


NOTES	NO.	CODE NO.	DESCRIPTION	VALIDITY	Q.TY	
	15	0670.16.185	Shim th. 1.2		1	
	15	713.1.011.1A	Shim th. 2.3		1	
	15	713.1.014.1A	Shim th. 1.5		1	
	15	713.1.014.1E	Shim th. 1.6		1	
	16	856.1.031.1A	Grooved washer th. 0.5		1	
	17	76402.0002	Needle bearing		1	
	18	172.1.006.1B	Driven gear 1st sp.		1	
	19	0670.16.155	Shim th. 1		1	
	20	172.1.010.1C	Driven gear 5th sp.		1	
	21	172.1.009.1C	Driven gear 4th sp.		1	
	22	172.1.008.1C	Driven gear 3rd sp.		1	
	23	172.1.011.1C	Driven gear 6th sp.		1	
	24	172.1.007.1B	Driven gear 2nd sp.		1	
	25	149.1.024.1A	Gearbox lay shaft		1	
	26	0670.16.170	Shim th. 0.8		1	
	26	0670.16.171	Shim th. 1		1	
	26	852.1.105.1AB	Shim th. 0.9		1	
	26	852.1.105.1AD	Shim th. 1,1		1	
	26	852.1.105.1AG	Shim th. 0.7		1	
	27	150.2.047.1A	Complete main shaft		1	
	28	150.2.048.1A	Complete lay shaft		1	
	29	734005N01	Spring washer		2	
	30	93783.0812	Seal ring		1	
	31	76270.0827	Needle bearing		1	

DRAWING 004 CLUTCH

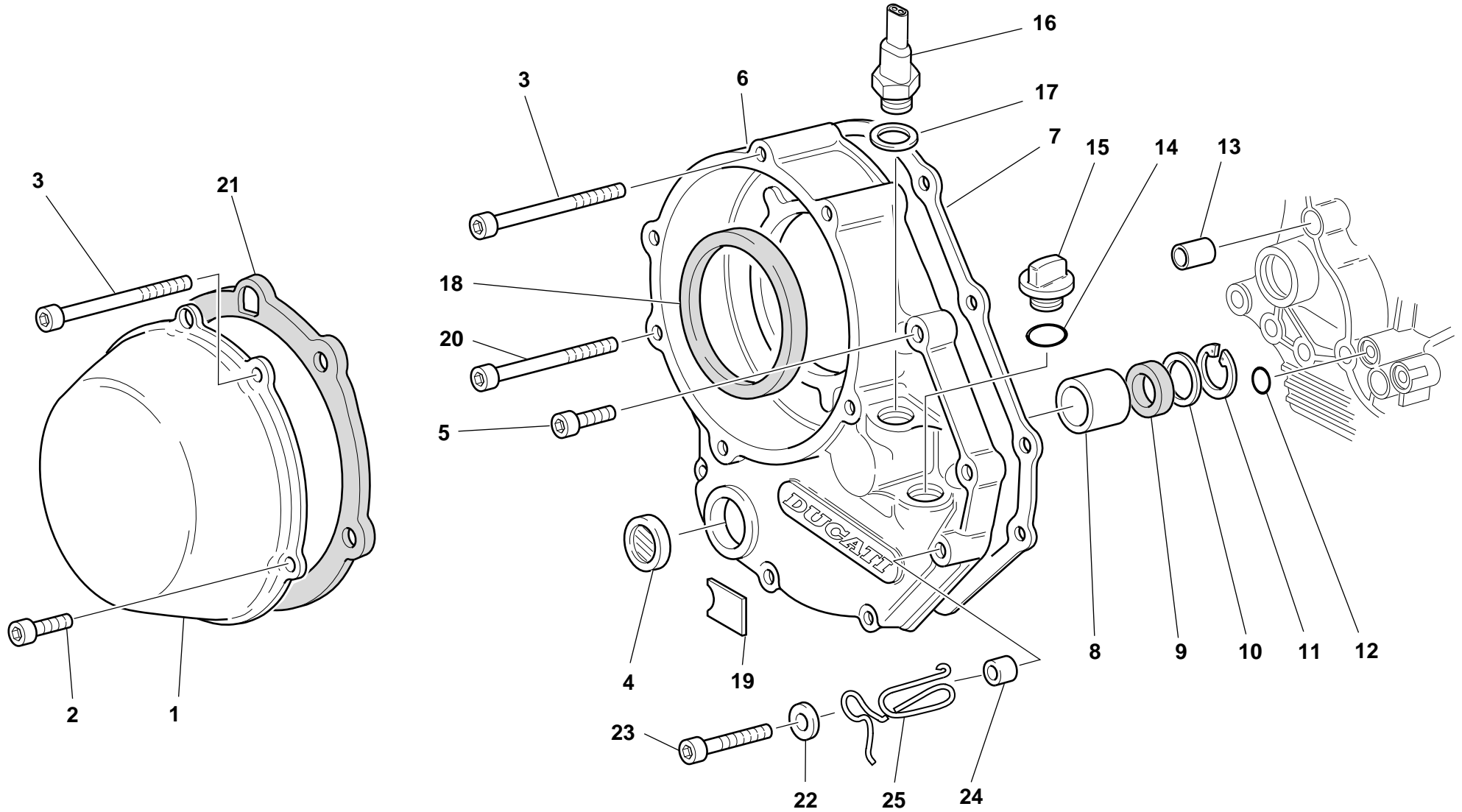


DRAWING **004** **CLUTCH**

NOTES	NO.	CODE NO.	DESCRIPTION	VALIDITY	Q.TY	
	1	0659.16.558	Clutch spring		6	
	2	841.1.002.2A	Retainer		6	
	3	818.2.009.1A	Clutch control pin		1	
	4	771.5.043.2B	Screw		6	
	5	851.4.001.1A	Lock washer		1	
	6	764.1.003.1B	Rubber pad		12	
	7	162.1.001.1B	Plate holder hub		1	
	8	190.2.001.3A	Clutch plates set		1	
	9	851.1.001.1B	Lock washer		1	
	10	196.1.001.1B	Clutch drum		1	
	11	70610.8120	Screw		8	
	12	194.2.001.2A	Pressure plate		1	
	13	198.1.027.1A	Clutch housing		1	
	14	702.5.016.1A	Bearing		1	
	15	463.2.053.7A	O-ring		1	
	16	463.4.026.9A	Seal ring		1	
	17	170.2.023.1A	Clutch/crankshaft gears pair		1	
	18	75113.2566	Bearing		1	
	19	881.2.001.1A	Circlip - spacer		1	
	20	463.7.022.6A	Bearing		1	
	21	0660.16.145	Spacer		1	
	22	195.2.002.3B	Piston assembly		1	
	23	93785.0822	Seal ring		1	
	24	930.4.009.1A	Seal ring		1	
	25	799.1.012.1A	Spring		1	
	26	236.1.010.3A	Clutch cap		1	

NOTES	NO.	CODE NO.	DESCRIPTION	VALIDITY	Q.TY	
	27	672.1.006.1A	Rod protection cover		1	
	28	60N107335	Screw		3	
	29	117.1.001.2A	Clutch control rod		1	
	30	93823.2018	O-ring		2	
	31	713.1.012.1B	Spacer		1	
	32	93823.0128	O-ring		1	
	33	710.1.002.1A	Bush		1	
	34	74224.0570	Pin		1	
	35	750.1.002.1B	Nut		1	
	36	0400.17.030	O-ring		1	

DRAWING **005** CLUTCH COVER



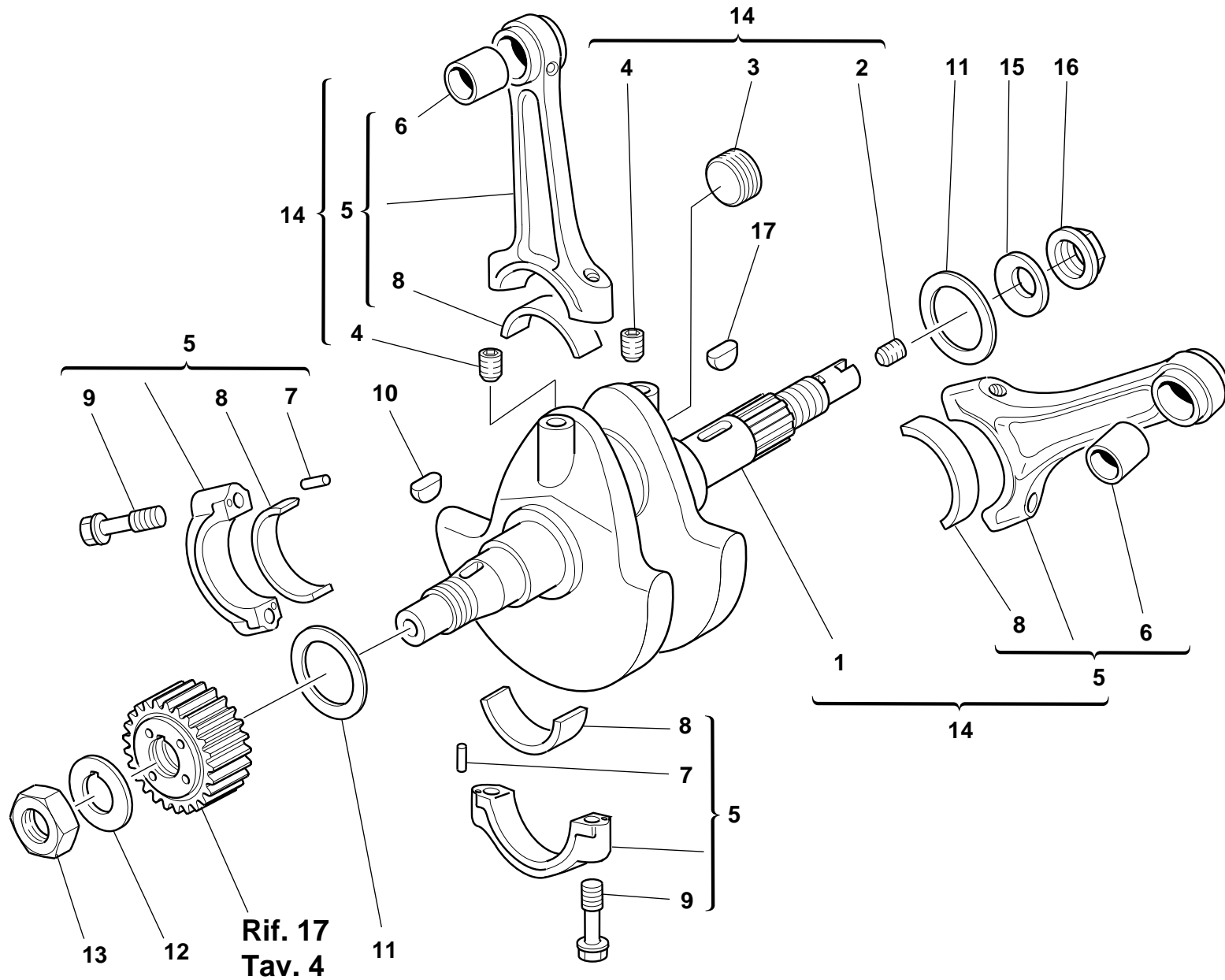


DRAWING **005** **CLUTCH COVER**


NOTES	NO.	CODE NO.	DESCRIPTION	VALIDITY	Q.TY	
	1	243.1.025.1AC	Clutch protection cover		1	
	2	60N102509	Screw		2	
	3	417.6.075.9A	Screw		3	
	4	254.4.001.1A	Oil level inspection cap		1	
	5	60N102510	Screw		5	
	6	243.2.004.1B	Cover clutch side (GREY)		1	
	7	788.1.055.1A	Clutch cover gasket		1	
	8	0665.49.680	Bush		1	
	9	93784.2030	Seal ring		1	
	10	852.1.008.1A	Shim th. 0.5		1	
	11	73503.3075	Circlip		1	
	12	93827.0114	O-ring		1	
	13	0400.49.240	Locating bush		1	
	14	93823.2082	O-ring		1	
	15	893.1.005.1A	Cap		1	
	16	539.4.008.1D	Switch		1	
	17	0150.70.120	Gasket		1	
	18	463.4.047.7A	Ring		1	
	19	433.1.028.1C	Oil level plate		1	
	20	771.5.078.2B	Screw		1	
	21	788.1.052.1A	Cover gasket		1	
	22	734306N01	Washer		1	
	23	771.5.072.2B	Screw		1	
	24	0675.49.540	Spacer		1	
	25	881.1.030.1A	Holder		1	

NOTES	NO.	CODE NO.	DESCRIPTION	VALIDITY	Q.TY	
-------	-----	----------	-------------	----------	------	---

DRAWING 006 CRANKSHAFT

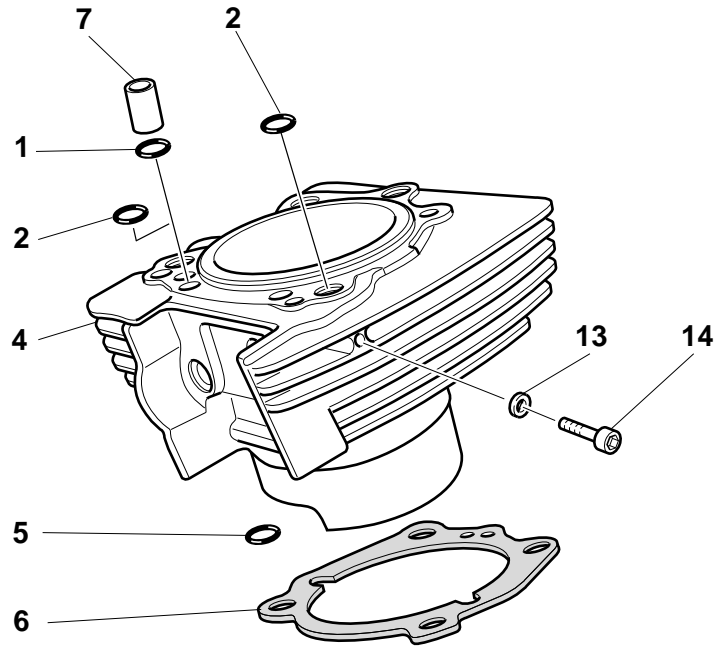


DRAWING **006** **CRANKSHAFT**

NOTES	NO.	CODE NO.	DESCRIPTION	VALIDITY	Q.TY	
	1	146.2.061.1A	Crankshaft (items 2-3-4 included)		1	
	2	779.1.109.1A	Special screw		1	
	3	780.1.016.1A	Cap		1	
	4	72121.2106	Threaded dowel		2	
	5	158.2.002.2A	Connecting rods pair (6-7-8 included)		1	
	6	711.1.007.1A	Bush		2	
	7	74224.0570	Pin		4	
	8	112.1.001.1A	Standard half-bearing		4	
	8	112.1.001.1AB	Undersize half-bearing 0.25		4	
	8	112.1.001.1AC	Undersize half-bearing 0.50		4	
	9	779.1.007.2A	Special screw		4	
	10	74172.1008	Woodruff key		1	
	11	852.1.076.2A	Shim th. 0.35		1	
	11	852.1.077.2A	Shim th. 0.4		1	
	11	852.1.078.2A	Shim th. 0.6		1	
	11	852.1.100.1A	Shim th. 0.3		2	
	11	852.1.101.1A	Shim th. 0.5		1	
	11	852.1.112.1A	Shim th. 0.7		1	
	12	0619.47.030	Lock washer		1	
	13	0660.47.040	Nut		1	
	14	145.2.034.1A	Complete connecting rods assembly		1	
	15	799.1.051.2A	Spring washer		1	
	16	750.1.012.2A	Nut		1	
	17	0755.29.025	Woodruff key		1	

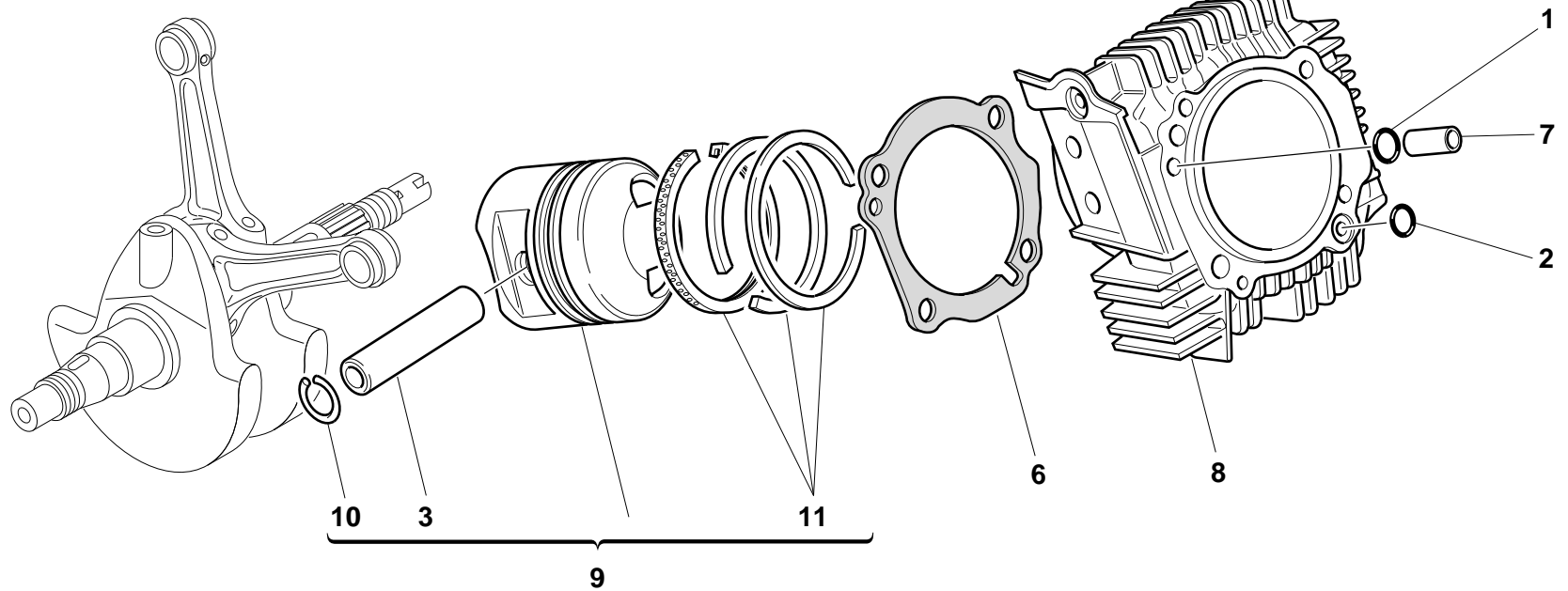
NOTES	NO.	CODE NO.	DESCRIPTION	VALIDITY	Q.TY	
-------	-----	----------	-------------	----------	------	---

DRAWING **007** CYLINDERS - PISTONS




12

<i>DUCATI</i>
GENUINE PARTS
Part - code N.
Quantity N.
Made in Italy

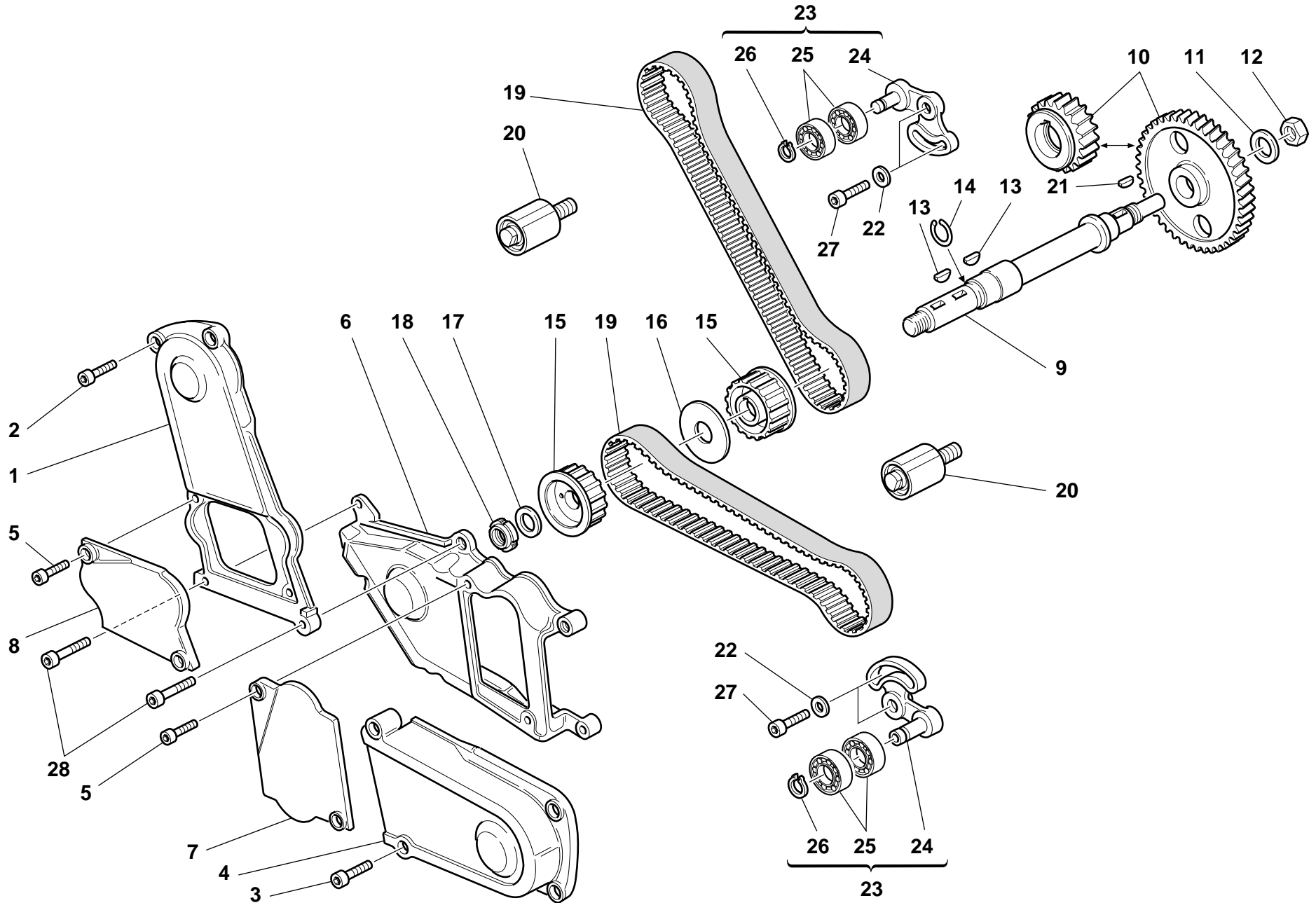


DRAWING **007** CYLINDERS - PISTONS

NOTES	NO.	CODE NO.	DESCRIPTION	VALIDITY	Q.TY	
	1	0400.17.030	O-ring		2	
	2	463.2.019.6A	O-ring		3	
	3	121.1.040.1A	Piston pin		2	
	4	120.2.051.1A	Vertical cylinder-piston fit		1	
	5	93823.2037	O-ring		1	
	6	786.1.047.1A	Cylinder-crankcase gasket th. 0.4		2	
	7	0805.17.125	Bush		2	
	8	120.2.052.1A	Horizontal cylinder-piston fit		1	
	9	122.2.050.1B	Complete piston		2	
	10	884.4.011.1A	Piston pin circlip		4	
	11	121.2.029.1B	Piston rings set		2	
	12	791.2.003.1A	Head-cylinder gaskets set		1	
	13	420.2.000.7A	Copper gasket		2	
	14	70700.6208	Screw		2	


NOTES	NO.	CODE NO.	DESCRIPTION	VALIDITY	Q.TY	
-------	-----	----------	-------------	----------	------	---

DRAWING 008 TIMING

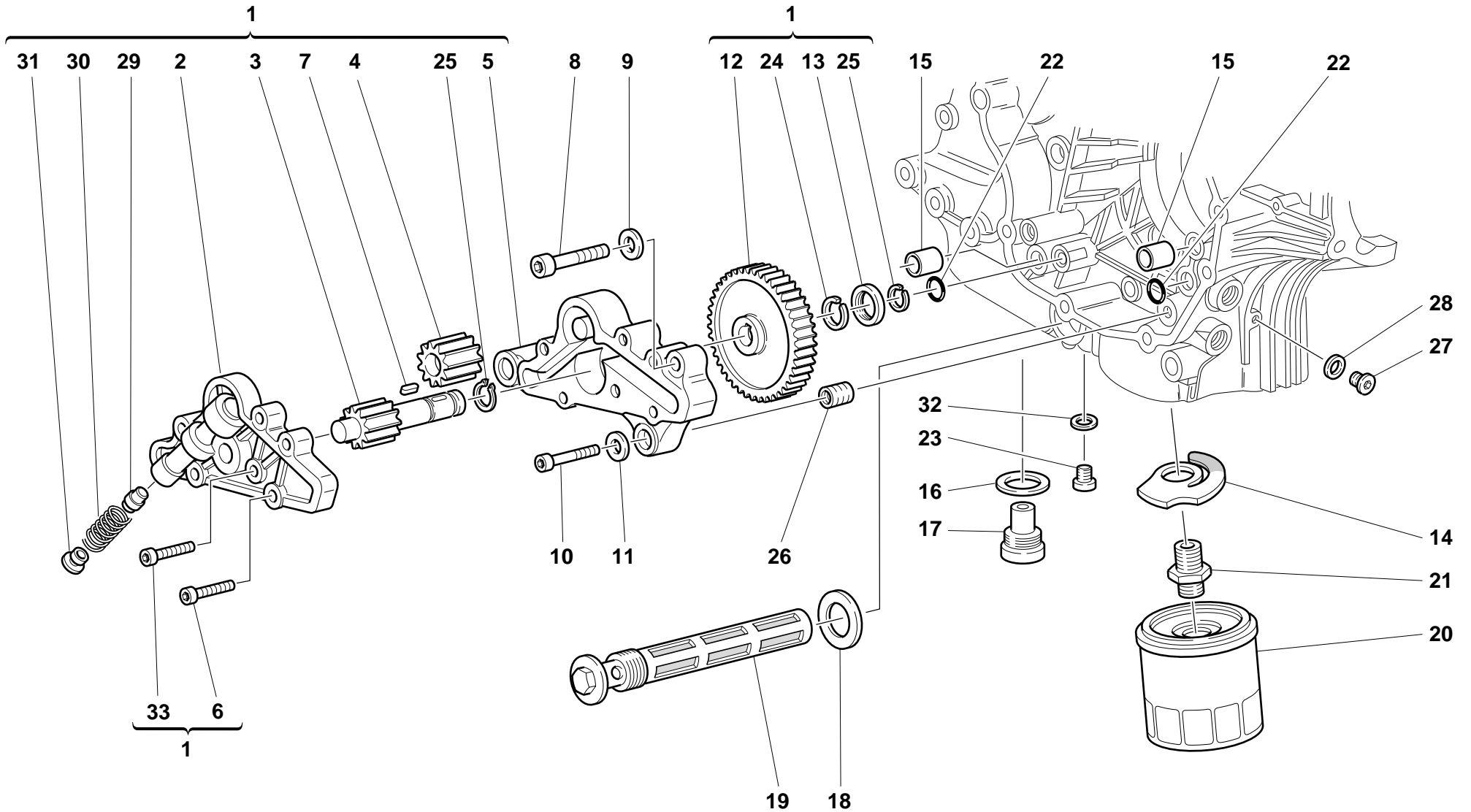


DRAWING **008** **TIMING**

NOTES	NO.	CODE NO.	DESCRIPTION	VALIDITY	Q.TY	
	1	245.1.007.1AB	Vertical timing belt cover (GREY)		1	
	2	60N102505	Screw		4	
	3	60N102509	Screw		2	
	4	245.1.008.1AB	Horizontal timing belt cover (GREY)		1	
	5	771.5.040.2B	Screw		4	
	6	245.1.006.1AB	Central cover (GREY)		1	
	7	245.1.010.1AB	Horizontal tensioner roller cover (GREY)		1	
	8	245.1.009.1AB	Vertical tensioner roller cover (GREY)		1	
	9	147.1.015.1A	Lay shaft		1	
	10	171.2.013.1B	Timing gears pair		1	
	11	0400.29.040	Lock washer		1	
	12	0124.40.060	Hexagon nut		1	
	13	74172.1008	Woodruff key		2	
	14	882.1.003.1A	Snap ring		1	
	15	255.1.001.1B	Timing belt roller		2	
	16	856.1.002.1A	Belt roller separating washer		1	
	17	0797.69.040	Washer		1	
	18	72944.1542	Elastic-stop ring nut		1	
	19	737.4.002.1A	Timing drive toothed belt		2	
	20	451.1.025.1A	Fixed tensioner assembly		2	
	21	0755.29.025	Woodruff key		1	
	22	462.3.003.7A	Washer		4	
	23	451.2.001.1A	Complete movable tensioner roller		2	
	24	451.1.005.2A	Bare tensioner roller		2	
	25	75166.1238	Bearing		4	
	26	0214.07.350	Ring		2	

NOTES	NO.	CODE NO.	DESCRIPTION	VALIDITY	Q.TY	
	27	771.5.122.2B	Screw		4	
	28	60N102510	Screw		3	


DRAWING **009** FILTERS AND OIL PUMP



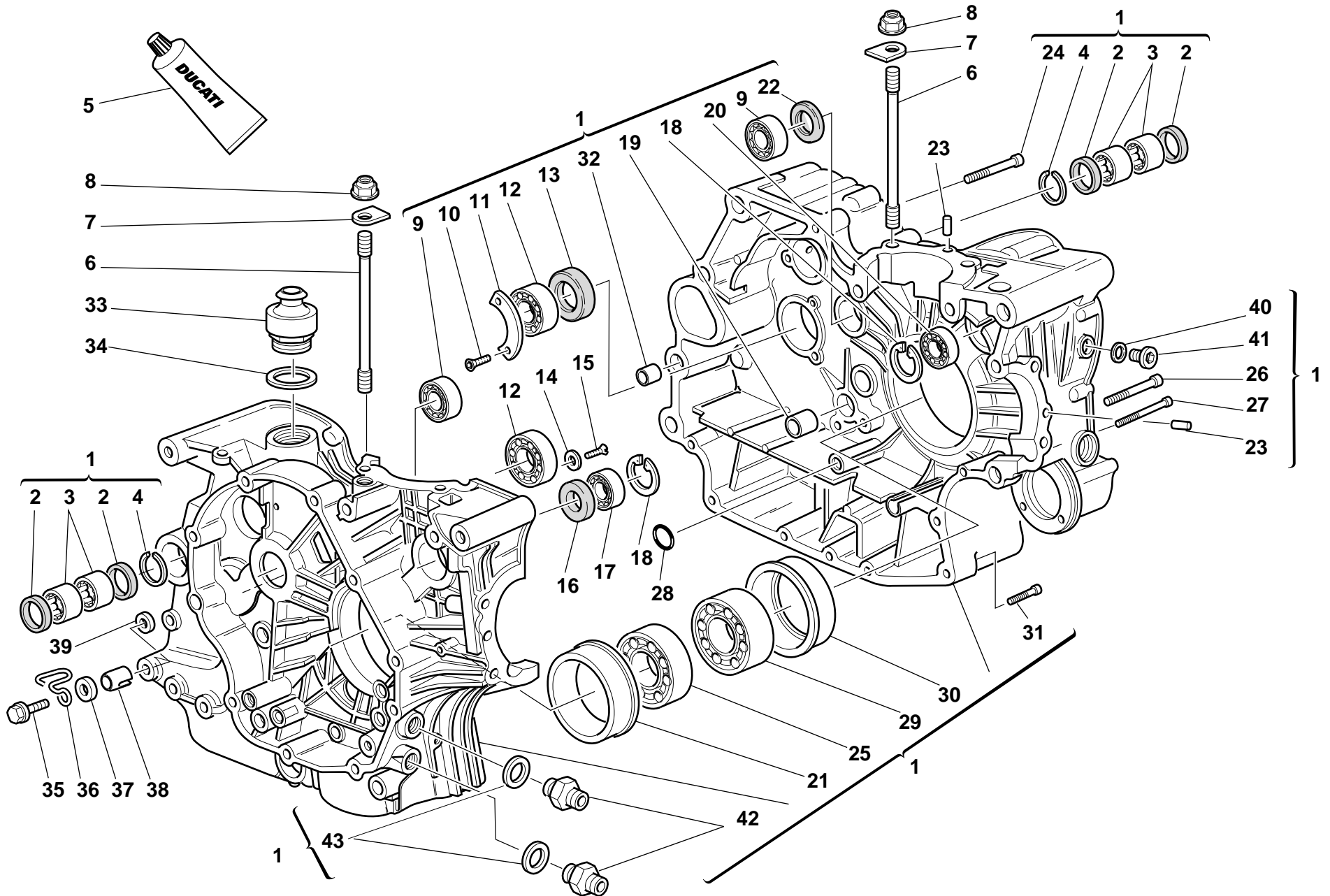


DRAWING **009** **FILTERS AND OIL PUMP**

NOTES	NO.	CODE NO.	DESCRIPTION	VALIDITY	Q.TY	
	1	174.2.016.2A	Complete oil pump		1	
	2	247.1.104.1A	Pump cover		1	
	3	174.1.002.1A	Pump driving gear		1	
	4	0660.70.065	Pump driven gear		1	
	5	250.2.030.2A	Pump body		1	
	6	779.5.001.1A	Screw		3	
	7	680.1.001.1B	Woodruff key		1	
	8	771.5.129.2B	Screw		2	
	9	462.4.037.8A	Spring washer		2	
	10	60N102510	Screw		1	
	11	462.4.037.6A	Spring washer		1	
	12	174.1.004.1A	Pump drive gear		1	
	13	710.1.001.1A	Bush		1	
	14	799.2.077.1A	Bypass spring		1	
	15	0759.49.280	Locating bush		2	
	16	220.3.208.3A	Gasket		1	
	17	0660.49.053	Oil drain plug with magnet		1	
	18	787.1.009.1A	Gasket th.2		1	
	19	0660.49.800	Oil filter		1	
	20	0905.49.960	Oil filter cartridge		1	
	21	0670.49.910	Nipple		1	
	22	93827.0114	O-ring		2	
	23	779.1.026.1A	Screw		1	
	24	76267.0012	Snap ring		1	
	25	73500.1237	Circlip		2	
	26	0670.49.310	Reduction bush		1	


NOTES	NO.	CODE NO.	DESCRIPTION	VALIDITY	Q.TY	
	27	779.1.162.1A	Cap		1	
	28	0150.70.120	Gasket		1	
	29	593.1.018.1A	Bypass valve		1	
	30	799.1.055.1A	Bypass spring		1	
	31	780.1.006.1A	Bypass cap		1	
	32	420.2.006.4A	Aluminium gasket		2	
	33	779.5.005.1A	Screw		3	

DRAWING 010 HALF CRANKCASES

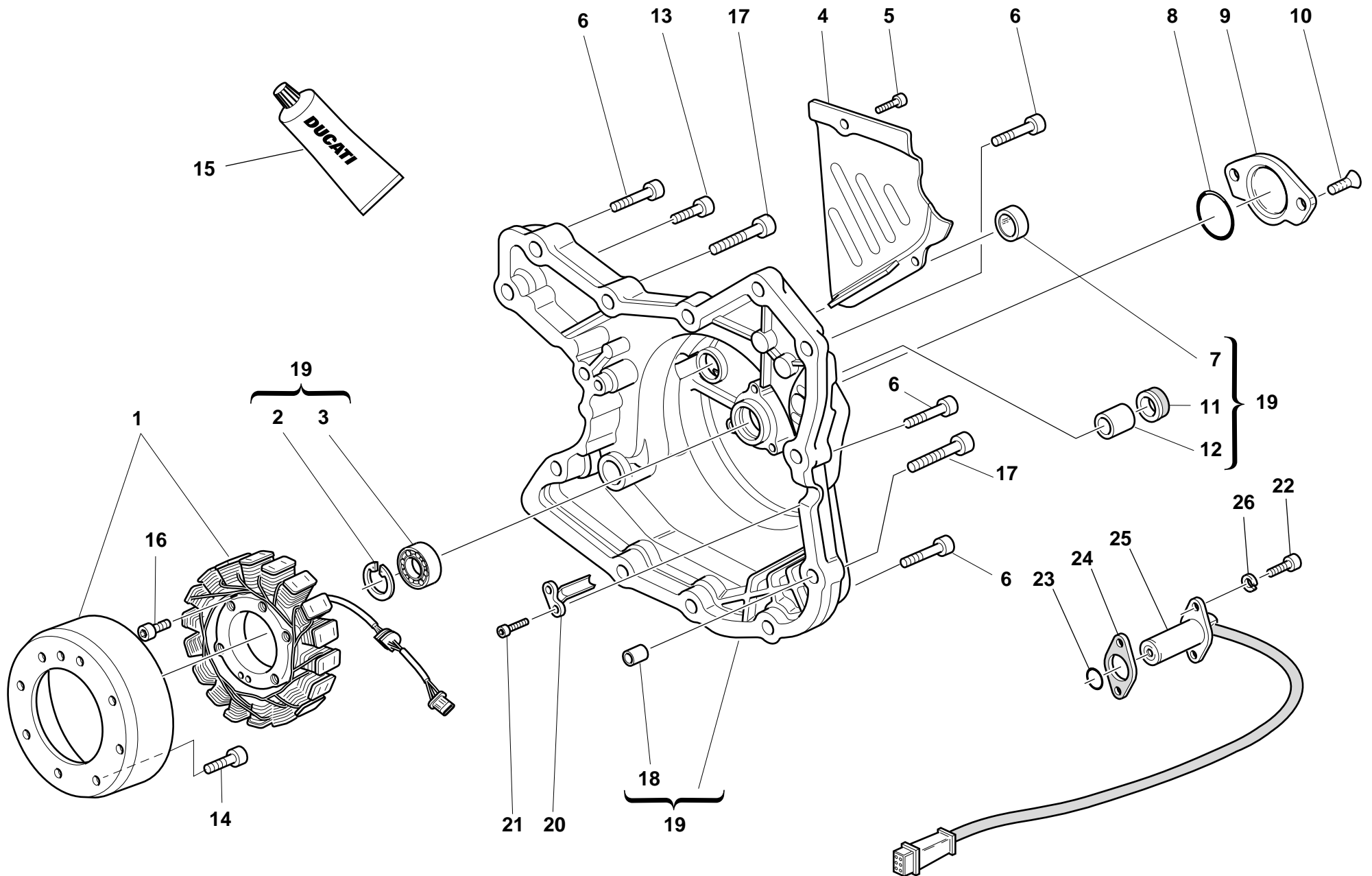


DRAWING **010** HALF CRANKCASES

NOTES	NO.	CODE NO.	DESCRIPTION	VALIDITY	Q.TY	
	1	225.2.039.3B	Complete half-crankcases pair		1	
	2	0755.49.265	Seal ring		4	
	3	76400.0004	Needle bearing		4	
	4	76266.2668	Snap ring		2	
	5	94247.0014	Fluid sealant		1	
	6	766.1.001.2B	Stud bolt for fastening head cylinder		8	
	7	856.1.024.1A	Special washer		8	
	8	0670.92.010	Nut		8	
	9	75791.1747	Bearing		2	
	10	72094.1616	Screw		2	
	11	826.1.003.1A	Keep plate		1	
	12	702.5.017.1A	Bearing		2	
	13	93783.2552	Seal ring		1	
	14	713.1.140.1A	Spacer		2	
	15	60N101079	Screw		2	
	16	93785.1830	Seal ring		1	
	17	75794.1542	Bearing		1	
	18	73503.3380	Circlip		2	
	19	77499.3421	Gearbox pin bush		1	
	20	702.5.008.1A	Bearing		1	
	21	710.1.005.2A	Bearing holder bush		1	
	22	0370.49.250	Washer		1	
	23	0011.52.010	Locating dowel		2	
	24	771.5.136.2B	Screw		3	
	25	75143.3380	Bearing		1	
	26	417.6.082.9A	Screw		4	


NOTES	NO.	CODE NO.	DESCRIPTION	VALIDITY	Q.TY	
	27	771.5.080.2B	Screw		2	
	28	93827.0114	O-ring		1	
	29	75191.3380	Bearing		1	
	30	710.1.012.1B	Bearing holder bush		1	
	31	771.5.072.2B	Screw		7	
	32	711.1.006.1A	Bush		2	
	33	593.1.003.1B	Breather valve		1	
	34	0660.49.920	Gasket		1	
	35	8000.62729	Screw		1	
	36	829.1.124.2A	Ring		1	
	37	734306N01	Washer		1	
	38	710.1.032.1A	Bush		1	
	39	711.1.072.1A	Bush		1	
	40	420.2.006.2A	Aluminium gasket		1	
	41	779.1.026.1A	Screw		1	
	42	815.1.005.1A	Nipple		2	
	43	420.2.006.4A	Aluminium gasket		2	

DRAWING **011** ALTERNATOR COVER

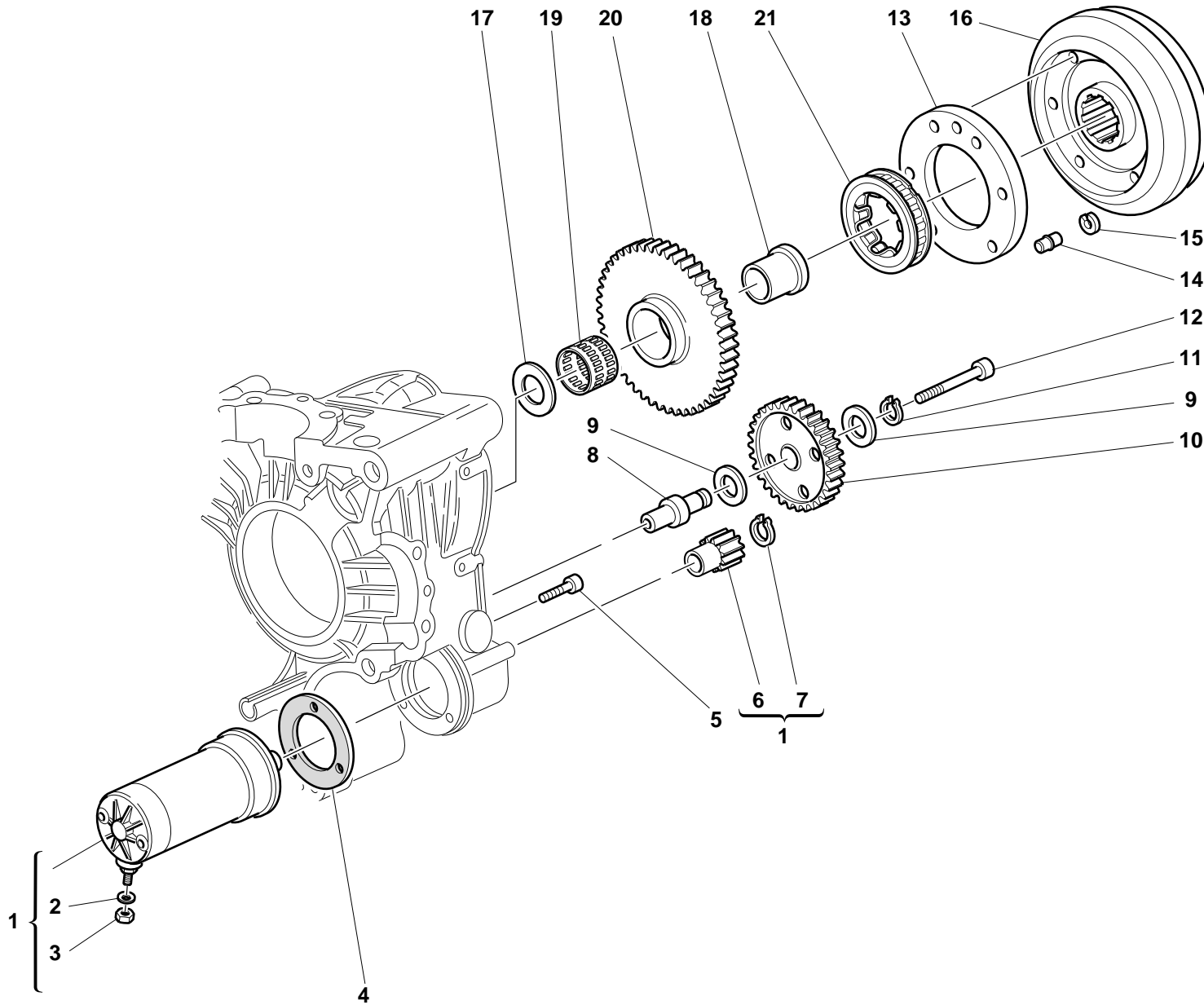


DRAWING **011** ALTERNATOR COVER


NOTES	NO.	CODE NO.	DESCRIPTION	VALIDITY	Q.TY	
	1	264.4.014.2B	Generator		1	
	2	73503.3380	Circlip		1	
	3	702.5.008.1A	Bearing		1	
	4	247.1.083.1AB	Chain cover		1	
	5	771.5.064.2B	Screw		2	
	6	60N102510	Screw		9	
	7	254.1.001.1A	Ignition inspection cap		1	
	8	93823.2131	O-ring		1	
	9	247.1.002.1BB	Cover		1	
	10	777.5.049.2C	Screw		2	
	11	93783.1524	Seal ring		1	
	12	77499.3421	Gearbox pin bush		1	
	13	60N102509	Screw		1	
	14	771.4.006.1A	Screw		1	
	15	94247.0014	Fluid sealant		1	
	16	771.5.073.2B	Screw		1	
	17	60N102511	Screw		2	
	18	0400.49.240	Locating bush		2	
	19	242.2.033.1AB	Generator cover		1	
	20	830.1.144.1A	Bracket		1	
	21	771.5.040.2B	Screw		2	
	22	70620.5212	Screw		1	
	23	93823.2056	O-ring		1	
	24	788.1.003.1B	Gasket th.0.5		1	
	24	788.1.012.1A	Gasket th.0.3		1	
	24	788.1.013.1A	Gasket th.0.2		1	

NOTES	NO.	CODE NO.	DESCRIPTION	VALIDITY	Q.TY	
	25	552.4.009.1A	Sensor		1	
	26	734005N01	Spring washer		1	

DRAWING 012 ELECTRIC STARTER AND IGNITION

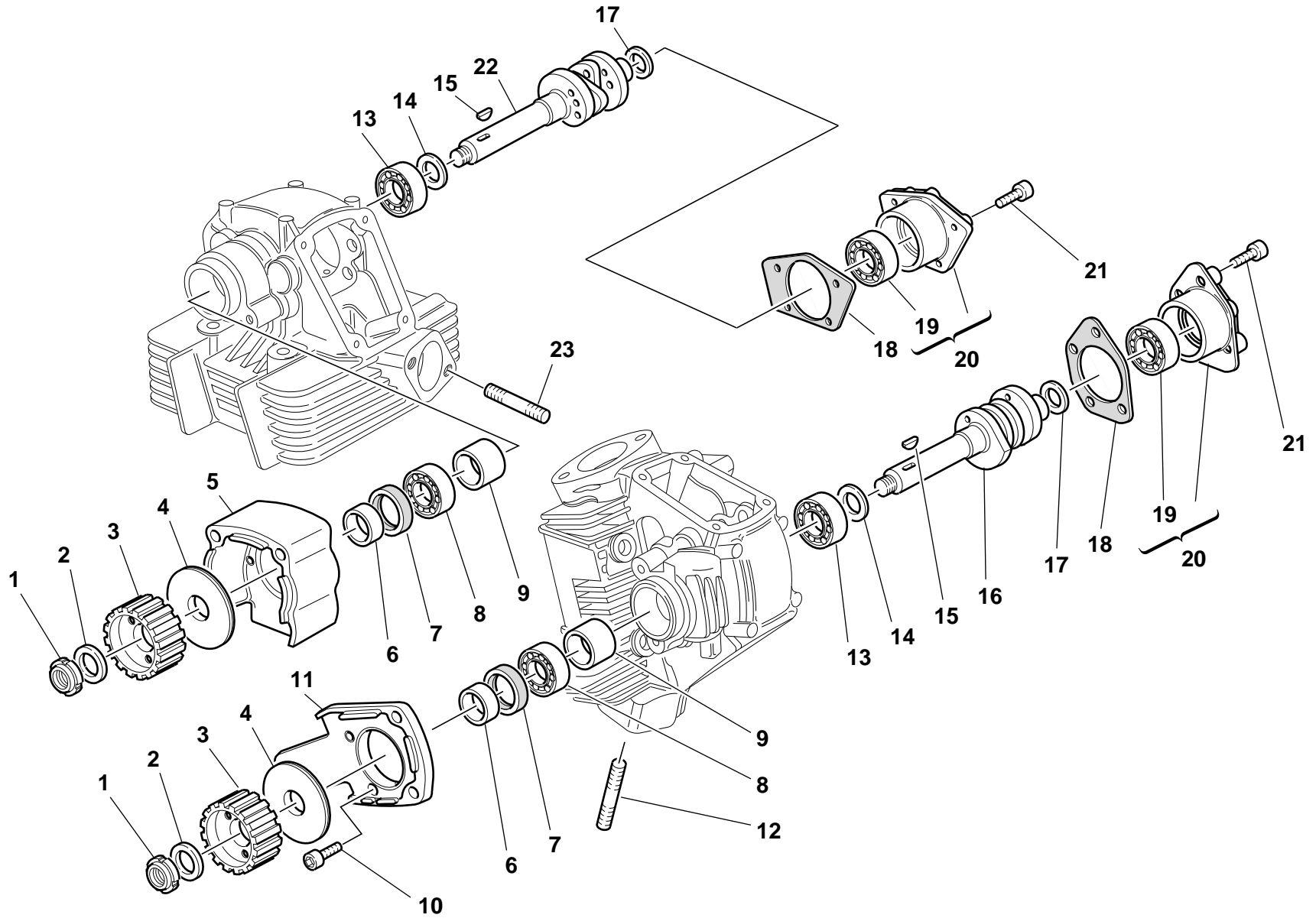


DRAWING **012** **ELECTRIC STARTER AND IGNITION**

NOTES	NO.	CODE NO.	DESCRIPTION	VALIDITY	Q.TY	
	1	270.4.001.1A	Complete starter motor (8-9 included)		1	
	2	734006N01	Spring washer		1	
	3	417.9.050.6A	Nut		1	
	4	788.1.054.1A	Starter motor gasket		1	
	5	60N102510	Screw		3	
	6	176.1.001.1A	Starter motor sprocket		1	
	7	73500.1237	Circlip		1	
	8	0660.50.020	Intermediate gear pin		1	
	9	0124.40.050	Washer		2	
	10	176.1.002.1A	Intermediate gear assembly		1	
	11	73500.1440	Circlip		1	
	12	771.5.078.2B	Screw		1	
	13	160.1.057.1A	Flange		1	
	14	863.1.002.1A	Locating pin		1	
	15	0647.29.040	Check ring		1	
	16	276.1.025.1B	Ignition flywheel		1	
	17	0619.50.065	Washer		1	
	18	881.1.010.1C	Inner ring		1	
	19	701.4.003.1A	Needle bearing		1	
	20	173.1.004.1A	Electric starter driven gear		1	
	21	701.4.007.1A	Starter clutch		1	


NOTES	NO.	CODE NO.	DESCRIPTION	VALIDITY	Q.TY	
-------	-----	----------	-------------	----------	------	---

DRAWING 013 HEAD : TIMING





DRAWING **013** HEAD : TIMING

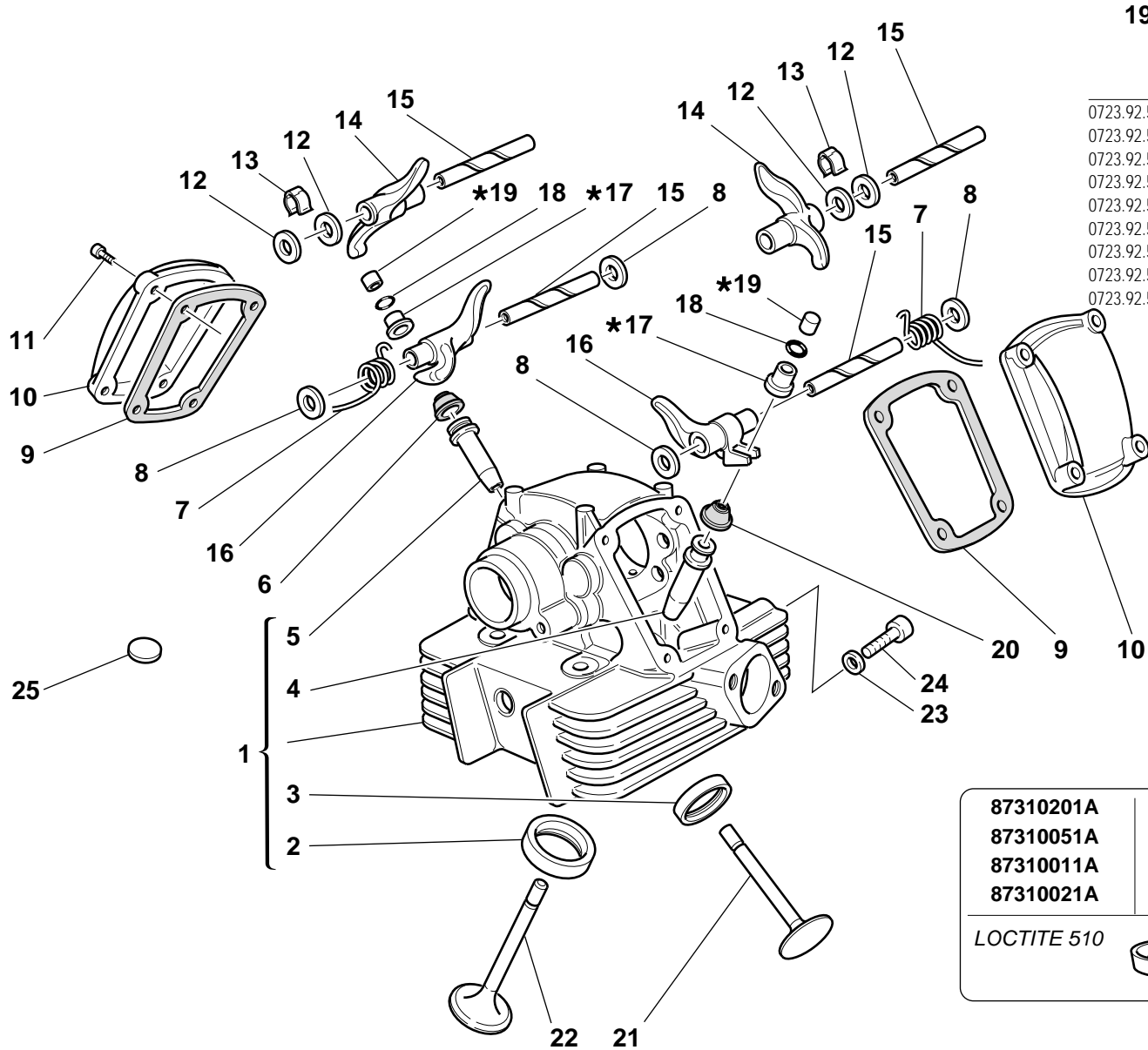
NOTES	NO.	CODE NO.	DESCRIPTION	VALIDITY	Q.TY	
	1	72944.1542	Elastic-stop ring nut		2	
	2	0797.69.040	Washer		2	
	3	255.1.004.1A	Timing belt roller		2	
	4	856.1.002.1A	Belt roller separating washer		2	
	5	235.1.007.3A	Vertical rubber cap		1	
	6	713.1.006.1A	Belt roller spacer		2	
	7	0204.70.105	Seal ring		2	
	8	75110.1747	Bearing		2	
	9	0660.29.030	Spacer		2	
	10	60N107335	Screw		4	
	11	235.1.008.1A	Horizontal rubber cap		1	
	12	0370.92.050	Stud bolt		4	
	13	75110.2054	Bearing		2	
	14	0400.16.190	Washer		2	
	15	74172.1008	Woodruff key		2	
	16	148.1.066.1A	Horizontal head camshaft		1	
	17	0400.29.126	Shim th. 0.5		4	
	18	0660.92.310	Cap gasket		2	
	19	75173.1542	Bearing		2	
	20	235.2.015.1BA	Cap with bearing		2	
	21	60N102509	Screw		8	
	22	148.1.067.1A	Vertical head camshaft		1	
	23	417.5.033.7A	Stud bolt		4	

NOTES	NO.	CODE NO.	DESCRIPTION	VALIDITY	Q.TY	
-------	-----	----------	-------------	----------	------	---

DRAWING **014** VERTICAL HEAD

**17 ★** Scodellino ritorno  
Return cap  
Coupelle retour  
Einstellhülse


0727.92.050	— 5	0727.92.171	— 7,15
0727.92.150	— 5,05	0727.92.072	— 7,2
0727.92.051	— 5,10	0727.92.172	— 7,25
0727.92.151	— 5,15	0727.92.073	— 7,30
0727.92.052	— 5,2	0727.92.173	— 7,35
0727.92.152	— 5,25	0727.92.074	— 7,4
0727.92.053	— 5,30	0727.92.174	— 7,45
0727.92.153	— 5,35	0727.92.075	— 7,50
0727.92.054	— 5,4	0727.92.175	— 7,55
0727.92.154	— 5,45	0727.92.076	— 7,6
0727.92.055	— 5,50	0727.92.176	— 7,65
0727.92.155	— 5,55	0727.92.077	— 7,70
0727.92.056	— 5,6	0727.92.177	— 7,75
0727.92.156	— 5,65	0727.92.078	— 7,8
0727.92.057	— 5,70	0727.92.178	— 7,85
0727.92.157	— 5,75	0727.92.079	— 7,90
0727.92.058	— 5,8	0727.92.179	— 7,95
0727.92.158	— 5,85	0727.92.080	— 8
0727.92.059	— 5,90	0727.92.180	— 8,05
0727.92.159	— 5,95	0727.92.081	— 8,10
0727.92.060	— 6	0727.92.181	— 8,15
0727.92.160	— 6,05	0727.92.082	— 8,2
0727.92.061	— 6,10	0727.92.182	— 8,25
0727.92.161	— 6,15	0727.92.083	— 8,3
0727.92.062	— 6,2	0727.92.183	— 8,35
0727.92.162	— 6,25	0727.92.084	— 8,4
0727.92.063	— 6,30	0727.92.184	— 8,45
0727.92.163	— 6,35	0727.92.085	— 8,5
0727.92.064	— 6,4	0727.92.185	— 8,55
0727.92.164	— 6,45	0727.92.086	— 8,6
0727.92.065	— 6,50	0727.92.186	— 8,65
0727.92.165	— 6,55	0727.92.087	— 8,7
0727.92.066	— 6,6	0727.92.187	— 8,75
0727.92.166	— 6,65	0727.92.088	— 8,8
0727.92.067	— 6,70	0727.92.188	— 8,85
0727.92.167	— 6,75	0727.92.089	— 8,9
0727.92.068	— 6,8	0727.92.189	— 8,95
0727.92.168	— 6,85	0727.92.090	— 9
0727.92.069	— 6,90	0727.92.092	— 9,2
0727.92.169	— 6,95	0727.92.094	— 9,4
0727.92.070	— 7	0727.92.096	— 9,6
0727.92.170	— 7,05		
0727.92.071	— 7,10		




**19 ★** Registro bilanciare  
Adjustment  
Réglage  
Ventilkäppchen


0723.92.500	— 2	0723.92.575	— 2,45
0723.92.535	— 2,05	0723.92.505	— 2,5
0723.92.501	— 2,1	0723.92.585	— 2,55
0723.92.545	— 2,15	0723.92.506	— 2,6
0723.92.502	— 2,2	0723.92.595	— 2,65
0723.92.555	— 2,25	0723.92.507	— 2,7
0723.92.503	— 2,3	0723.92.605	— 2,75
0723.92.565	— 2,35	0723.92.508	— 2,8
0723.92.504	— 2,4	0723.92.615	— 2,85
		0723.92.509	— 2,9
		0723.92.625	— 2,95
		0723.92.510	— 3
		0723.92.635	— 3,05
		0723.92.511	— 3,1
		0723.92.645	— 3,15
		0723.92.512	— 3,2
		0723.92.655	— 3,25
		0723.92.513	— 3,3
		0723.92.675	— 3,35
		0723.92.514	— 3,4
		0723.92.685	— 3,45
		0723.92.515	— 3,5
		0723.92.695	— 3,55
		0723.92.516	— 3,6
		0723.92.705	— 3,65
		0723.92.517	— 3,7
		0723.92.715	— 3,75
		0723.92.518	— 3,8
		0723.92.725	— 3,85
		0723.92.519	— 3,9
		0723.92.735	— 3,95
		0723.92.520	— 4
		0723.92.745	— 4,05
		0723.92.521	— 4,1
		0723.92.522	— 4,2
		0723.92.523	— 4,3
		0723.92.524	— 4,4
		0723.92.525	— 4,5
		0723.92.526	— 4,6
		0723.92.527	— 4,7
		0723.92.528	— 4,8
		0723.92.529	— 4,9
		0723.92.530	— 5

<b>87310201A</b>	<b>-20</b>
<b>87310051A</b>	<b>-18</b>
<b>87310011A</b>	<b>-16</b>
<b>87310021A</b>	<b>-10</b>

**LOCTITE 510** 

DRAWING **014** VERTICAL HEAD

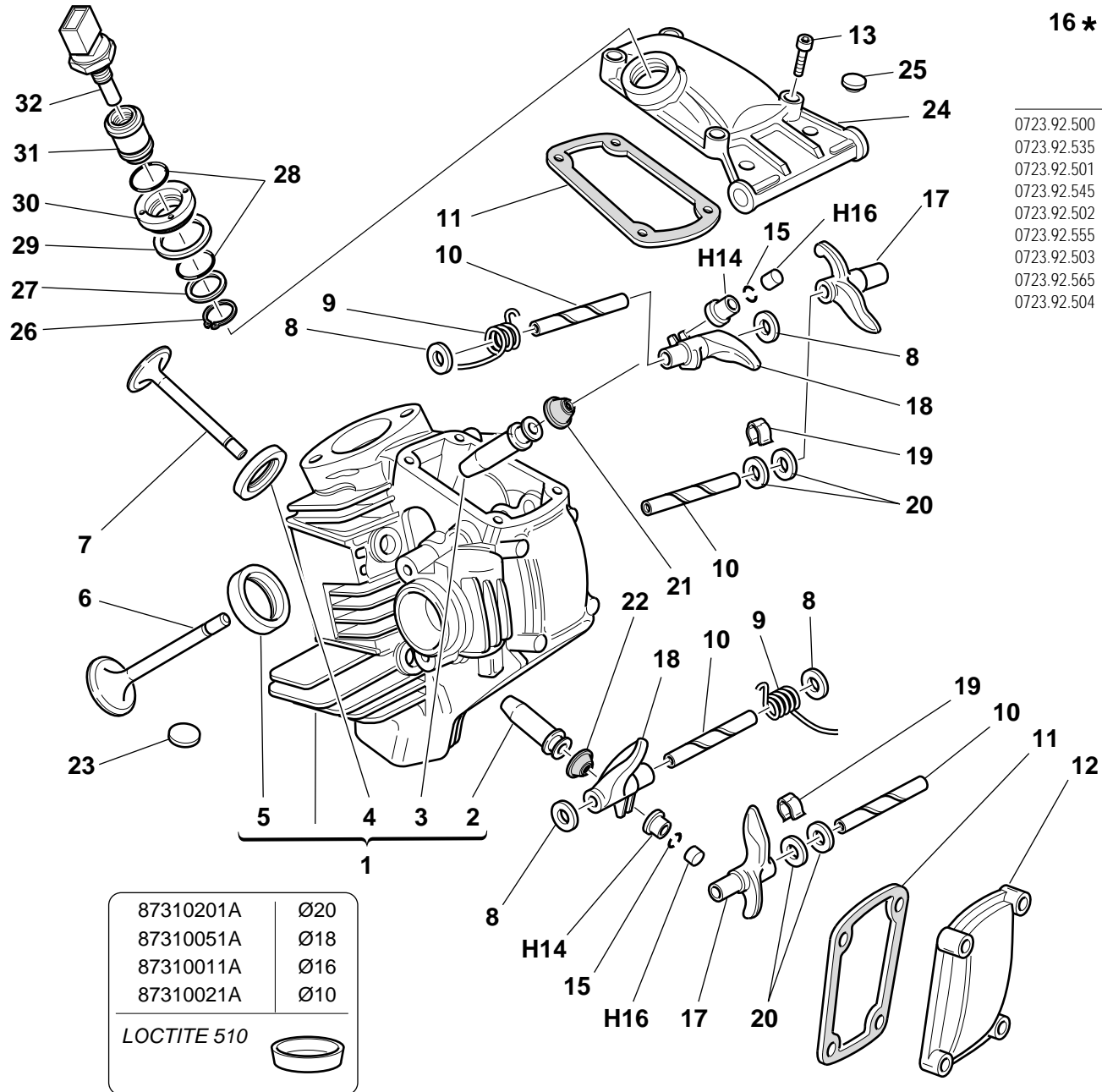
NOTES	NO.	CODE NO.	DESCRIPTION	VALIDITY	Q.TY	
	1	301.2.018.1BA	Vertical head (2,3,6,7 included)		1	
	2	304.1.005.2A	Intake valve seat		1	
	2	304.1.005.2AB	Oversize intake valve seat 0.03		1	
	2	304.1.005.2AC	Oversize intake valve seat 0.06		1	
	3	304.1.006.2A	Exhaust valve seat		1	
	3	304.1.006.2AB	Oversize exhaust valve seat 0.03		1	
	3	304.1.006.2AC	Oversize exhaust valve seat 0.06		1	
	4	303.1.003.1A	Intake valve cast iron guide		1	
	4	303.1.003.1AB	Oversize valve guide 0.03		1	
	4	303.1.003.1AC	Oversize valve guide 0.06		1	
	4	303.1.003.1AD	Oversize valve guide 0.09		1	
	5	303.1.004.1C	Exhaust valve bronze guide		1	
	5	303.1.004.1CB	Oversize valve guide 0.03		1	
	5	303.1.004.1CC	Oversize valve guide 0.06		1	
	5	303.1.004.1CD	Oversize valve guide 0.09		1	
	6	764.1.013.1A	Valve seal		1	
	7	799.1.061.1A	Closing rocker spring		2	
	8	0619.92.180	Shim th. 0.3		6	
	8	0670.92.190	Shim th. 2		4	
	8	0765.92.185	Shim th. 1		2	
	8	0765.92.190	Shim th. 0.5		4	
	8	0765.92.205	Shim th. 0.2		8	
	9	788.1.032.2A	Valve cover gasket		2	
	10	240.1.010.1AB	Valve cover		2	
	11	60N102509	Screw		8	
	12	0647.70.010	Shim		4	

NOTES	NO.	CODE NO.	DESCRIPTION	VALIDITY	Q.TY	
	13	0375.92.210	Spring		2	
	14	0375.92.170	Opening rocker		2	
	15	0660.92.240	Rocker shaft		4	
	16	0660.92.183	Closing rocker		2	
	17	0727.92.239	See table		2	
	18	669.1.003.1A	Split rings		4	
	19	0723.92.239	See table		2	
	20	764.1.009.1A	Valve seal		1	
	21	210.1.003.5A	Intake valve		1	
	22	211.1.003.4A	Exhaust valve		1	
	23	420.2.000.7A	Copper gasket		1	
	24	779.1.133.1A	Screw		1	
	25	0670.17.395	Vibration damper pad		20	

DRAWING **015** HORIZONTAL HEAD

**14 ★** Scodellino ritorno  
Return cap  
Coupelle retour  
Einstellhülse


0727.92.050	— 5	0727.92.171	— 7,15
0727.92.150	— 5,05	0727.92.072	— 7,2
0727.92.051	— 5,10	0727.92.172	— 7,25
0727.92.151	— 5,15	0727.92.073	— 7,30
0727.92.052	— 5,2	0727.92.173	— 7,35
0727.92.152	— 5,25	0727.92.074	— 7,4
0727.92.053	— 5,30	0727.92.174	— 7,45
0727.92.153	— 5,35	0727.92.075	— 7,50
0727.92.054	— 5,4	0727.92.175	— 7,55
0727.92.154	— 5,45	0727.92.076	— 7,6
0727.92.055	— 5,50	0727.92.176	— 7,65
0727.92.155	— 5,55	0727.92.077	— 7,70
0727.92.056	— 5,6	0727.92.177	— 7,75
0727.92.156	— 5,65	0727.92.078	— 7,8
0727.92.057	— 5,70	0727.92.178	— 7,85
0727.92.157	— 5,75	0727.92.079	— 7,90
0727.92.058	— 5,8	0727.92.179	— 7,95
0727.92.158	— 5,85	0727.92.080	— 8
0727.92.059	— 5,90	0727.92.180	— 8,05
0727.92.159	— 5,95	0727.92.081	— 8,10
0727.92.060	— 6	0727.92.181	— 8,15
0727.92.160	— 6,05	0727.92.082	— 8,2
0727.92.061	— 6,10	0727.92.182	— 8,25
0727.92.161	— 6,15	0727.92.083	— 8,3
0727.92.062	— 6,2	0727.92.183	— 8,35
0727.92.162	— 6,25	0727.92.084	— 8,4
0727.92.063	— 6,30	0727.92.184	— 8,45
0727.92.163	— 6,35	0727.92.085	— 8,5
0727.92.064	— 6,4	0727.92.185	— 8,55
0727.92.164	— 6,45	0727.92.086	— 8,6
0727.92.065	— 6,50	0727.92.186	— 8,65
0727.92.165	— 6,55	0727.92.087	— 8,7
0727.92.066	— 6,6	0727.92.187	— 8,75
0727.92.166	— 6,65	0727.92.088	— 8,8
0727.92.067	— 6,70	0727.92.188	— 8,85
0727.92.167	— 6,75	0727.92.089	— 8,9
0727.92.068	— 6,8	0727.92.189	— 8,95
0727.92.168	— 6,85	0727.92.090	— 9
0727.92.069	— 6,90	0727.92.092	— 9,2
0727.92.169	— 6,95	0727.92.094	— 9,4
0727.92.070	— 7	0727.92.096	— 9,6
0727.92.170	— 7,05		
0727.92.071	— 7,10		




**16 ★** Registro bilanciere  
Adjustment  
Réglage  
Ventilkäppchen

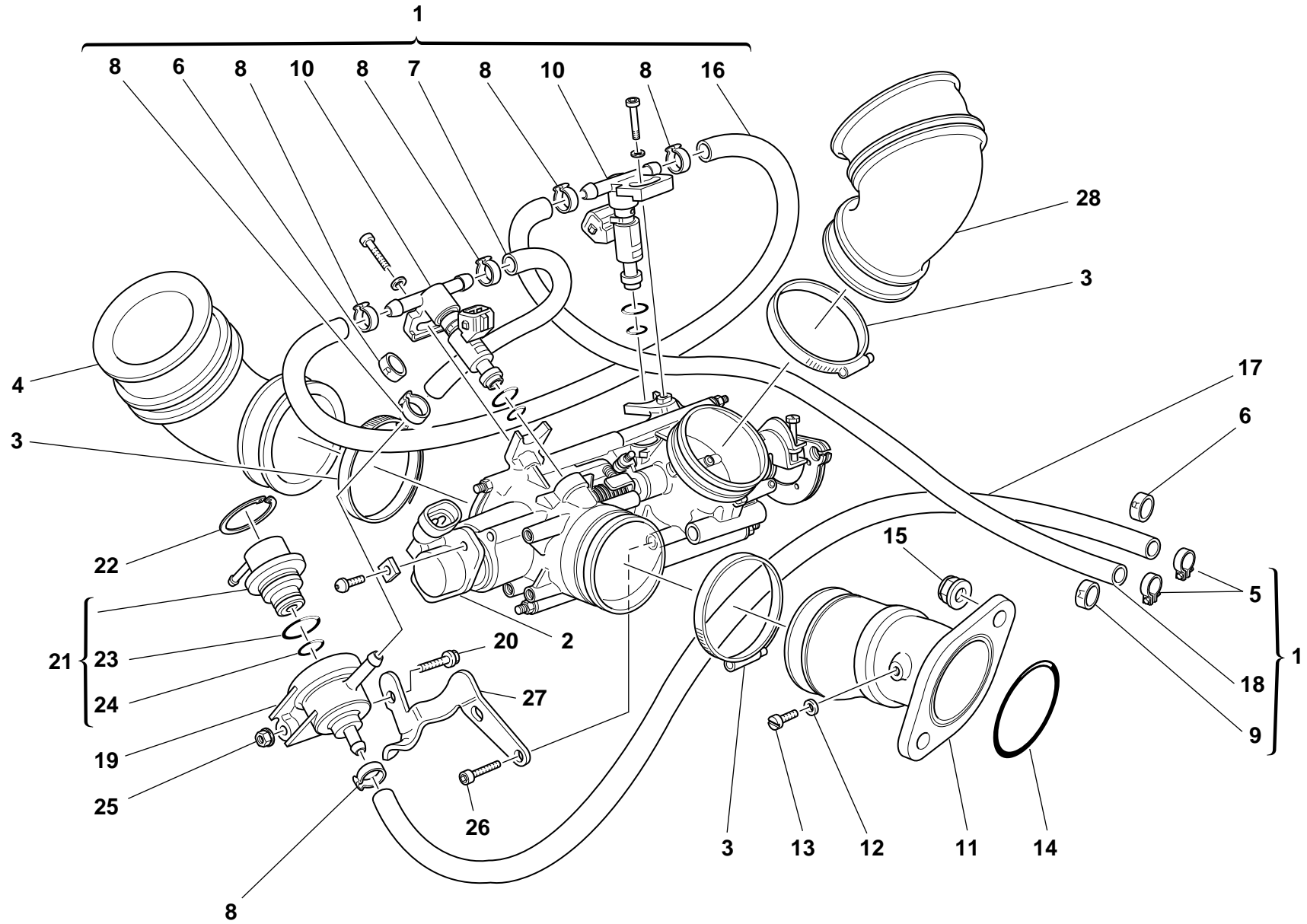
0723.92.500	— 2	0723.92.575	— 2,45
0723.92.535	— 2,05	0723.92.505	— 2,5
0723.92.501	— 2,1	0723.92.585	— 2,55
0723.92.545	— 2,15	0723.92.506	— 2,6
0723.92.502	— 2,2	0723.92.595	— 2,65
0723.92.555	— 2,25	0723.92.507	— 2,7
0723.92.503	— 2,3	0723.92.605	— 2,75
0723.92.565	— 2,35	0723.92.508	— 2,8
0723.92.504	— 2,4	0723.92.615	— 2,85
		0723.92.509	— 2,9
		0723.92.625	— 2,95
		0723.92.510	— 3
		0723.92.635	— 3,05
		0723.92.511	— 3,1
		0723.92.645	— 3,15
		0723.92.512	— 3,2
		0723.92.655	— 3,25
		0723.92.513	— 3,3
		0723.92.675	— 3,35
		0723.92.514	— 3,4
		0723.92.685	— 3,45
		0723.92.515	— 3,5
		0723.92.695	— 3,55
		0723.92.516	— 3,6
		0723.92.705	— 3,65
		0723.92.517	— 3,7
		0723.92.715	— 3,75
		0723.92.518	— 3,8
		0723.92.725	— 3,85
		0723.92.519	— 3,9
		0723.92.735	— 3,95
		0723.92.520	— 4
		0723.92.745	— 4,05
		0723.92.521	— 4,1
		0723.92.522	— 4,2
		0723.92.523	— 4,3
		0723.92.524	— 4,4
		0723.92.525	— 4,5
		0723.92.526	— 4,6
		0723.92.527	— 4,7
		0723.92.528	— 4,8
		0723.92.529	— 4,9
		0723.92.530	— 5

DRAWING **015** HORIZONTAL HEAD


NOTES	NO.	CODE NO.	DESCRIPTION	VALIDITY	Q.TY	
	1	301.2.019.2BA	Horizontal head (2,3,6,7 included)		1	
	2	303.1.004.1C	Exhaust valve bronze guide		1	
	2	303.1.004.1CB	Oversize valve guide 0.03		1	
	2	303.1.004.1CC	Oversize valve guide 0.06		1	
	2	303.1.004.1CD	Oversize valve guide 0.09		1	
	3	303.1.003.1A	Intake valve cast iron guide		1	
	3	303.1.003.1AB	Oversize valve guide 0.03		1	
	3	303.1.003.1AC	Oversize valve guide 0.06		1	
	3	303.1.003.1AD	Oversize valve guide 0.09		1	
	4	304.1.006.2A	Exhaust valve seat		1	
	4	304.1.006.2AB	Oversize exhaust valve seat 0.03		1	
	4	304.1.006.2AC	Oversize exhaust valve seat 0.06		1	
	5	304.1.005.2A	Intake valve seat		1	
	5	304.1.005.2AB	Oversize intake valve seat 0.03		1	
	5	304.1.005.2AC	Oversize intake valve seat 0.06		1	
	6	210.1.003.5A	Intake valve		1	
	7	211.1.003.4A	Exhaust valve		1	
	8	0619.92.180	Shim th. 0.3		6	
	8	0670.92.190	Shim th. 2		4	
	8	0765.92.185	Shim th. 1		2	
	8	0765.92.190	Shim th. 0.5		4	
	8	0765.92.205	Shim th. 0.2		8	
	9	799.1.061.1A	Closing rocker spring		2	
	10	0660.92.240	Rocker shaft		4	
	11	788.1.032.2A	Valve cover gasket		2	
	12	240.1.010.1AB	Valve cover		1	


NOTES	NO.	CODE NO.	DESCRIPTION	VALIDITY	Q.TY	
	13	60N102509	Screw		8	
	14	0727.92.239	See table		2	
	15	669.1.003.1A	Split rings		4	
	16	0723.92.239	See table		2	
	17	0375.92.170	Opening rocker		2	
	18	0660.92.183	Closing rocker		2	
	19	0375.92.210	Spring		2	
	20	0647.70.010	Shim		4	
	21	764.1.009.1A	Valve seal		1	
	22	764.1.013.1A	Valve seal		1	
	23	0670.17.395	Vibration damper pad		22	
	24	240.1.012.1BB	Intake valve cover		1	
	25	300160	Rubber cap		2	
	26	73500.1747	Snap ring		1	
	27	713.1.137.1A	Spacer		1	
	28	886.4.028.1A	O-Ring		2	
	29	787.1.008.1A	Aluminium gasket		1	
	30	703.1.019.1A	Ring nut		1	
	31	829.1.235.1A	Holder sensor		1	
	32	552.4.013.1A	Water temperature sensor		1	

DRAWING 016 INLET DICT

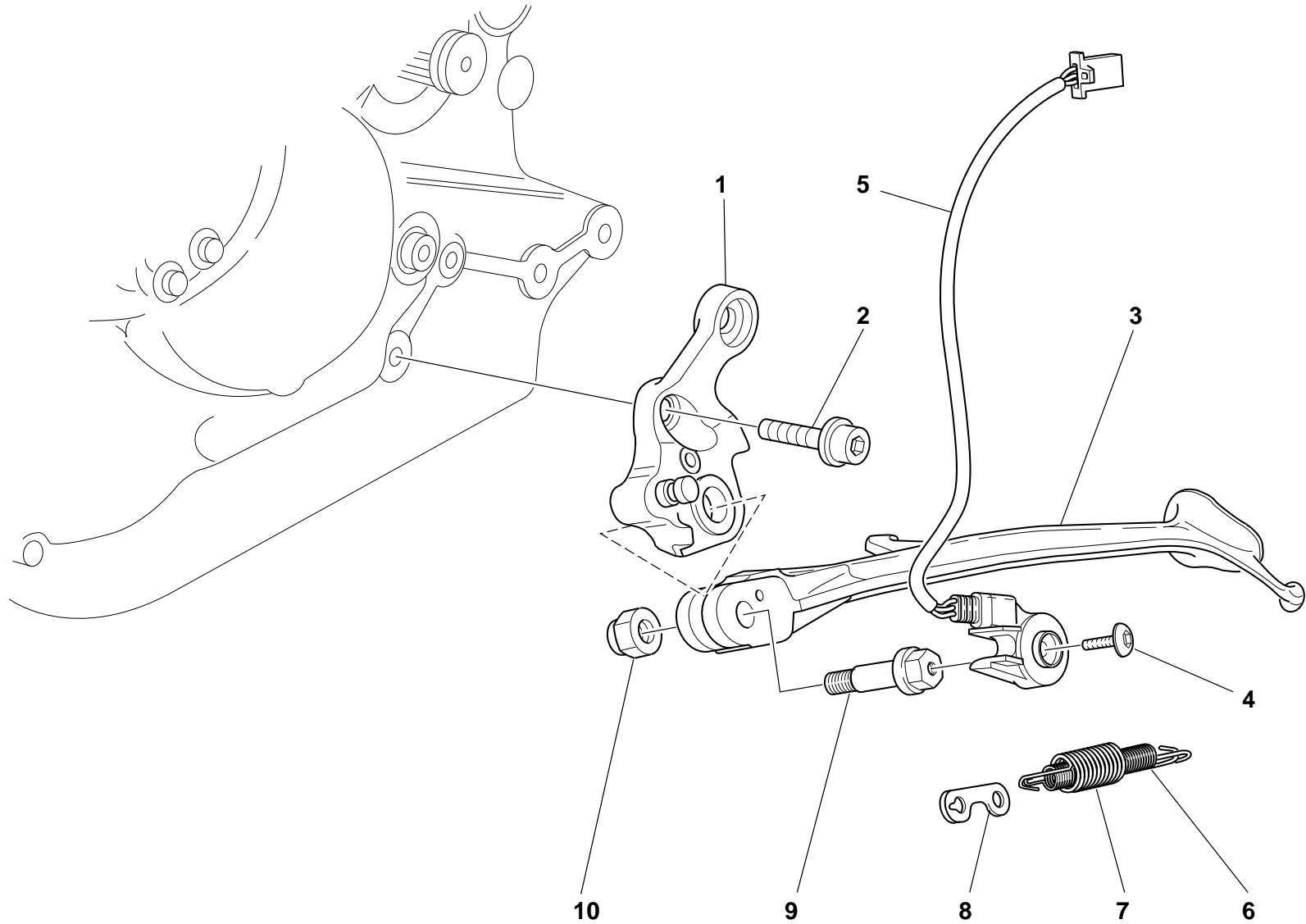


DRAWING **016** INLET DICT

NOTES	NO.	CODE NO.	DESCRIPTION	VALIDITY	Q.TY	
	1	282.4.022.1A	Feed unit assembly		1	
	2	284.4.002.1A	Potentiometer		1	
	3	741.4.042.1A	Clamp		4	
	4	801.1.024.1A	Hose		1	
	5	741.4.004.1A	Clamp		2	
	6	741.4.041.1A	Clamp "R"		1	
	7	590.1.133.1A	Tube		1	
	8	287.4.024.1B	Clamp		6	
	9	741.4.040.1A	Clamp "M"		1	
	10	280.4.007.1A	Injector		2	
	11	137.1.003.1B	Intake duct		2	
	12	0250.70.223	Aluminium gasket		2	
	13	776.5.032.2A	Screw		2	
	14	463.2.022.2A	O-Ring		2	
	15	729908FN1	Nut		4	
	16	590.1.132.1A	Tube		1	
	17	590.1.134.1A	Tube		1	
	18	590.1.130.1A	Tube		1	
	19	830.1.091.2A	Holder		1	
	20	8000.62729	Screw		1	
	21	283.4.003.1A	Pressure regulator		1	
	22	73503.3449	Circlip		1	
	23	886.4.022.1A	O-ring		1	
	24	886.4.021.1A	O-ring		1	
	25	0335.03.465	El-stop nut		1	
	26	70620.5212	Screw		2	


NOTES	NO.	CODE NO.	DESCRIPTION	VALIDITY	Q.TY	
	27	827.1.193.1A	Regulator bracket		1	
	28	801.1.023.1A	Hose		1	

DRAWING **017** STANDS



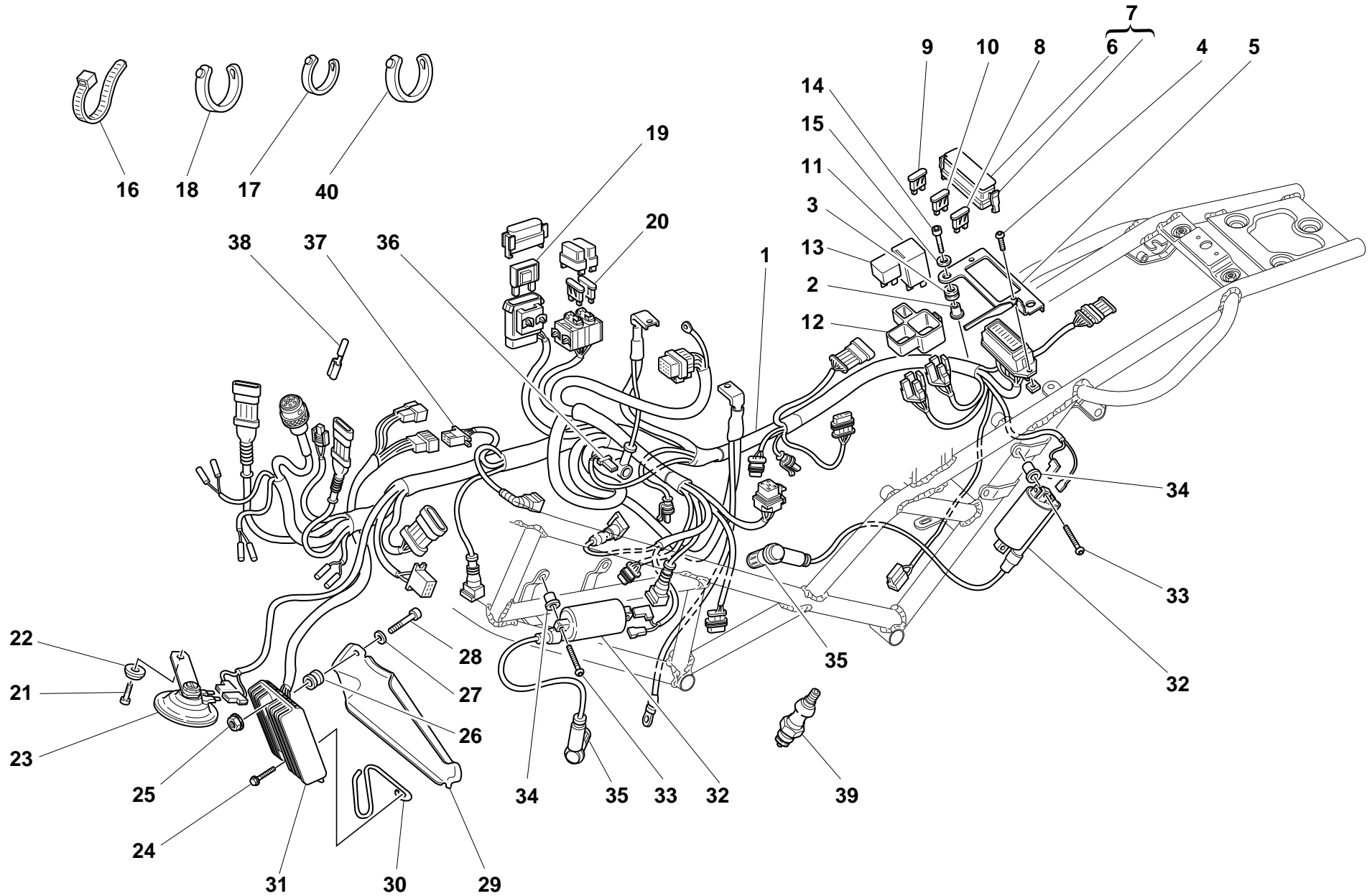


DRAWING **017** STANDS


NOTES	NO.	CODE NO.	DESCRIPTION	VALIDITY	Q.TY	
	1	556.2.027.1A	Side stand		1	
	2	771.5.754.2B	Screw		1	
	3	556.1.024.1A	Side stand		1	
	4	779.4.005.1A	Screw		1	
	5	539.1.023.1A	Switch		1	
	6	799.1.089.1A	Spring		1	
	7	799.1.088.1A	Outer spring		1	
	8	827.1.139.1B	Plate		1	
	9	556.1.018.1C	Pivot		1	
	10	749.4.045.2G	Nut		1	


NOTES	NO.	CODE NO.	DESCRIPTION	VALIDITY	Q.TY	
-------	-----	----------	-------------	----------	------	---

DRAWING **018** ELECTRIC SYSTEM




DRAWING **018** ELECTRIC SYSTEM

NOTES	NO.	CODE NO.	DESCRIPTION	VALIDITY	Q.TY	
	1	510.3.131.1A	Wiring		1	
	2	716.1.014.1B	Spacer		2	
	3	764.1.029.1A	Rubber pad		2	
	4	779.1.009.1A	Screw		2	
	5	829.1.113.2A	Plate		1	
	6	433.1.241.1A	Sticker schema fusibili		1	
	7	246.1.059.1A	Case cover		1	
	8	389.4.007.1A	Fuse 7.5A		4	
	9	389.4.008.1A	Fuse 15A		2	
	10	389.4.010.1A	Fuse 30A		2	
	11	538.4.005.1A	Flashing device		1	
	12	829.1.256.1A	Holder		1	
	13	287.4.014.1A	Relay		1	
	14	60N102511	Screw		2	
	15	0670.72.010	Washer		2	
	16	0691.91.030	Clamp		5	
	17	741.1.012.1A	Clamp		14	
	18	741.4.038.1A	Clamp		5	
	19	389.4.014.1A	Fuse 40A		1	
	20	389.4.006.1A	Fuse 3A		2	
	21	771.5.268.2B	Screw		1	
	22	841.1.017.1A	Retainer		1	
	23	516.4.001.1AB	Horn (BLACK)		1	
	24	772.5.023.1A	Screw		1	
	25	0000.44240	Nut		1	
	26	713.1.102.1A	Spacer		1	

NOTES	NO.	CODE NO.	DESCRIPTION	VALIDITY	Q.TY	
	27	734306N01	Washer		2	
	28	417.6.016.8A	Screw		1	
	29	247.1.098.2A	Cover		1	
	30	881.1.028.1A	Fairlead		1	
	31	540.4.011.1C	Regulator		1	
	32	380.4.004.1B	Coil		2	
	33	775.1.013.1A	Screw		4	
	34	0000.63150	Insert		4	
	35	672.1.013.1A	Spare cap		2	
	36	0000.56803	Connector		1	
	37	0000.66526	Connector		1	
	38	0000.66527	End section		4	
	39	670.4.008.1A	Spark plug		2	
	40	741.1.013.1A	Clamp		13	



DRAWING **019** BATTERY BOX MOUNT

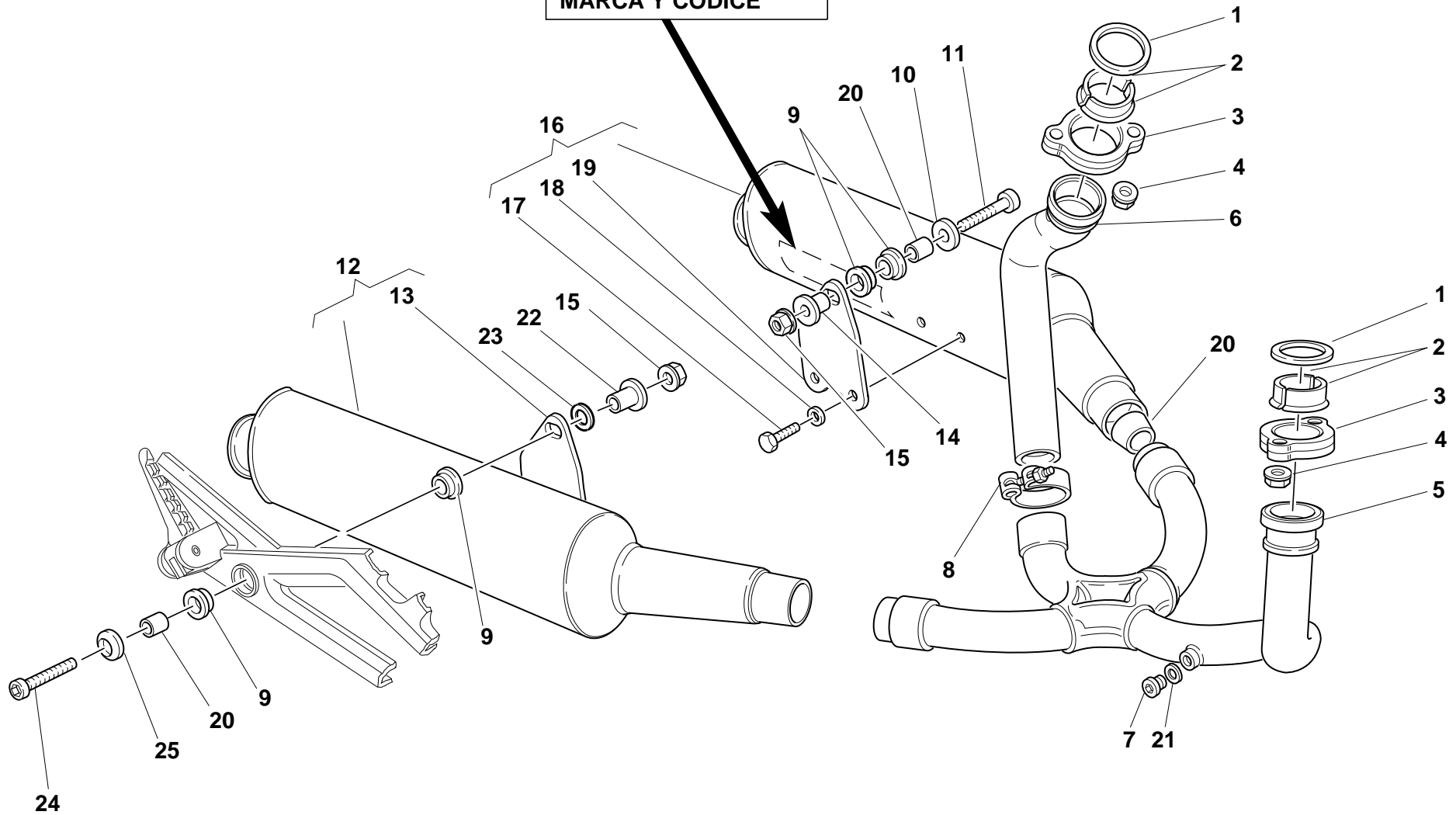
NOTES	NO.	CODE NO.	DESCRIPTION	VALIDITY	Q.TY	
	1	462.4.037.6A	Spring washer		2	
	2	417.9.050.6A	Nut		2	
	3	397.4.001.1A	Remote switch		1	
	4	829.2.234.1B	Holder		1	
	5	514.1.025.2A	Solenoid starter-starter motor cable		1	
	6	759.1.006.1A	Spring hook		2	
	7	8000.59572	Screw		4	
	8	829.1.230.1A	Plate		1	
	9	700.1.026.1A	Vibration damper pad		4	
	10	748.4.026.1B	Nut		4	
	11	286.4.024.1A	Injection control unit		1	
	12	829.1.127.1A	Holder		1	
	13	287.4.040.2A	Relay		1	
	14	395.4.001.1A	Battery		1	
	15	791.1.036.1A	Battery gasket		1	
	16	0960.91.130	Nut		1	
	17	672.1.023.1A	Terminal cap		1	
	18	672.1.024.1A	Terminal cap(BLACK)		1	
	19	877.1.053.1A	Battery breather pipe		1	
	20	775.1.006.1A	Special screw		1	
	21	734008N01	Spring washer		1	

NOTES	NO.	CODE NO.	DESCRIPTION	VALIDITY	Q.TY	
-------	-----	----------	-------------	----------	------	---

DRAWING **020**

EXHAUST SYSTEM

MARCA E CODICE  
MAKE AND CODE  
MARQUET ET CODE  
FABRIKAT UND CODE  
MARCA Y CODICE

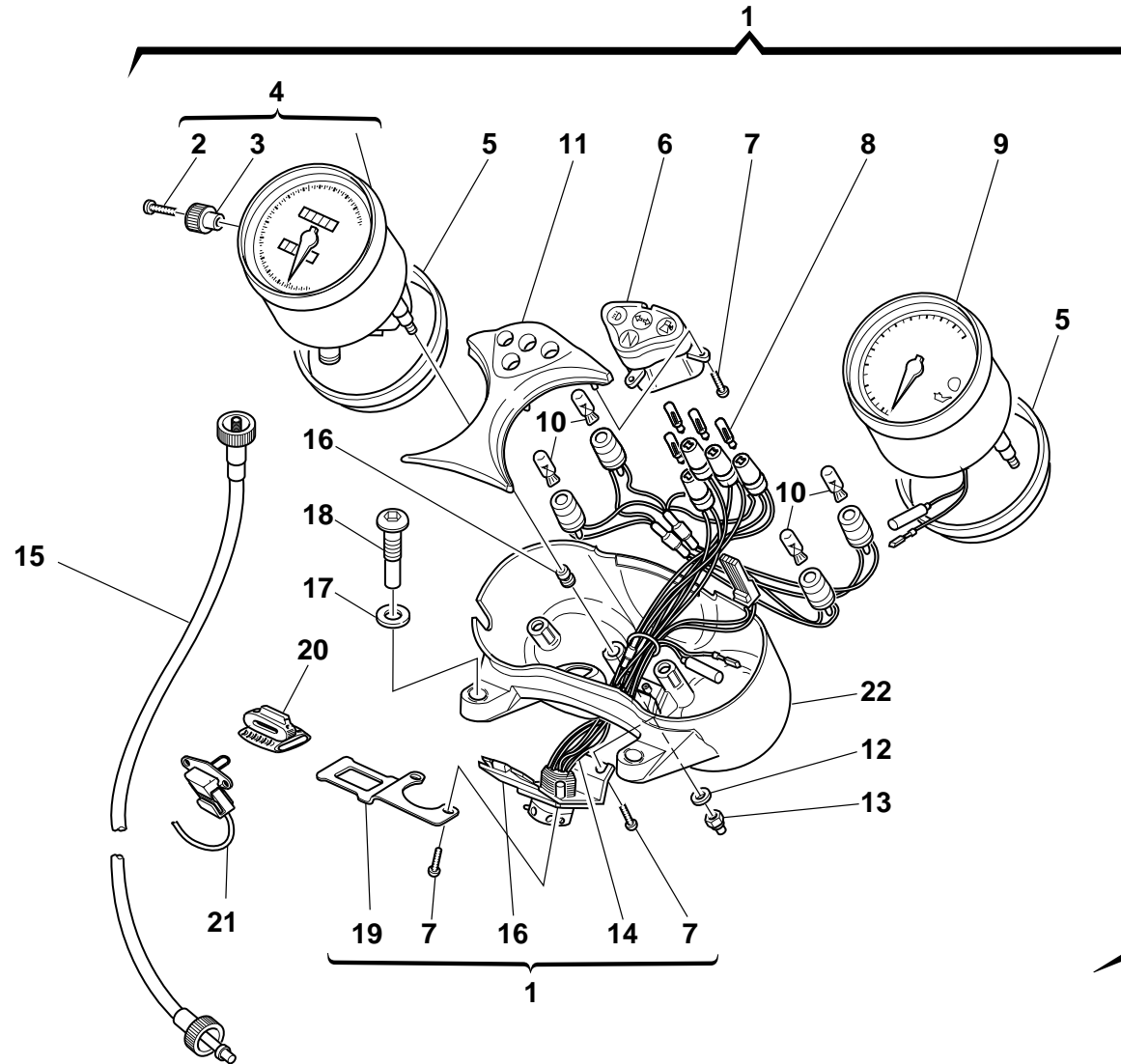


DRAWING **020** EXHAUST SYSTEM

NOTES	NO.	CODE NO.	DESCRIPTION	VALIDITY	Q.TY	
	1	0370.84.005	Exhaust gasket		2	
	2	0619.84.015	Half bushes		4	
	3	575.1.001.1AB	Exhaust ring nut (GREY)		2	
	4	0404.02.390	Nut		4	
	5	570.1.020.1A	Horizontal head exhaust pipe		1	
	6	571.1.018.2A	Vertical head exhaust pipe		1	
	7	780.1.007.1A	Cap		2	
	8	741.1.003.1A	Clamp		1	
	9	764.1.001.1A	Rubber pad		4	
	10	0000.30326	Washer		1	
	11	779.5.003.1A	Screw		1	
	12	573.1.050.1A	R.H. silencer		1	
	13	576.1.021.1A	R.H. bracket		1	
	14	716.1.055.1A	Spacer		1	
	15	8000.44240	Nut		2	
	16	574.1.050.1A	L.H. silencer		1	
	17	70914.2121	Screw		4	
	18	73270.8001	Washer		4	
	19	576.1.022.1A	L.H. bracket		1	
	20	711.1.090.1A	Bush		2	
	21	420.2.001.0A	Copper gasket		2	
	22	716.1.054.1A	Spacer		1	
	23	852.1.118.1A	Washer		1	
	24	779.5.018.1A	Screw		1	
	25	841.1.018.1A	Retainer		1	


NOTES	NO.	CODE NO.	DESCRIPTION	VALIDITY	Q.TY	
-------	-----	----------	-------------	----------	------	---

DRAWING 021 INSTRUMENT PANEL



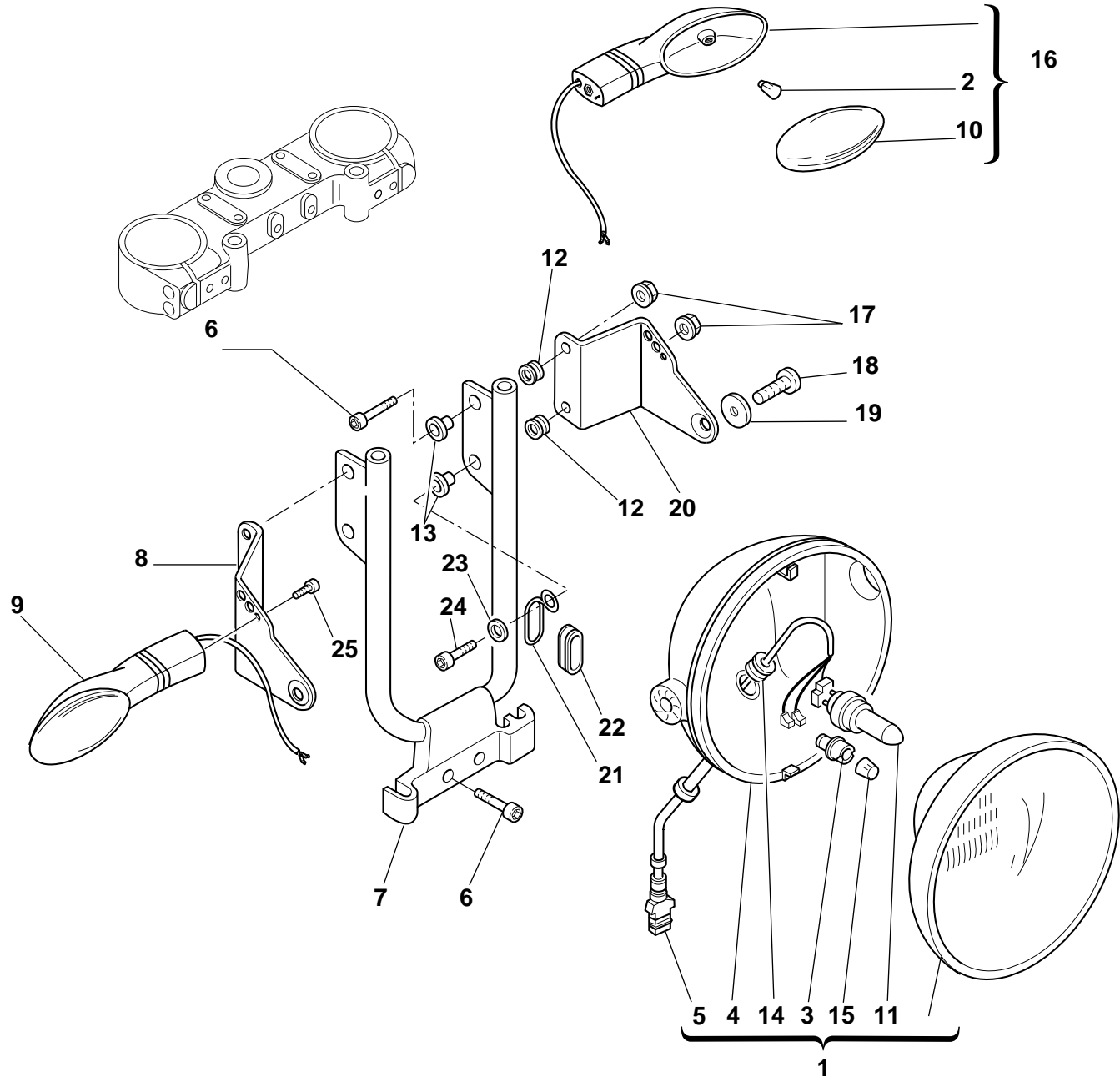


DRAWING **021** INSTRUMENT PANEL


NOTES	NO.	CODE NO.	DESCRIPTION	VALIDITY	Q.TY	
	1	406.2.011.1B	Complete instrument panel (speedometer - miles)		1	
	2	776.4.002.1A	Screw		1	
	3	408.1.008.1A	Knob		1	
	4	401.4.016.1A	Speedometer (miles)		1	
	5	791.1.022.1A	Gasket		1	
	6	247.1.125.1A	Lamp-holding body		1	
	7	774.4.001.1A	Screw		7	
	8	8000.20602	Warning lamp bulb12V-1.2W		4	
	9	402.4.011.1A	Electronic tachometer		1	
	10	8000.56750	Warning lamp bulb12V-2.1W		4	
	11	407.1.008.1A	Plate		1	
	12	852.1.119.1A	Washer		4	
	13	747.5.002.1A	Nut		4	
	14	510.1.150.1A	Electric wiring		1	
	15	403.1.008.2A	Speedometer transmission		1	
	16	700.4.009.1A	Rubber pad		4	
	17	60N115506	Washer		2	
	18	779.1.098.1B	Special screw		2	
	19	829.1.272.1A	Holder sensor		1	
	20	829.1.273.1A	Connector holder		1	
	21	552.4.012.1A	Air temperature sensor		1	
	22	407.1.009.1A	Instruments holder		1	

NOTES	NO.	CODE NO.	DESCRIPTION	VALIDITY	Q.TY	
-------	-----	----------	-------------	----------	------	---

DRAWING **022** FRONT HEAD-LIGHT



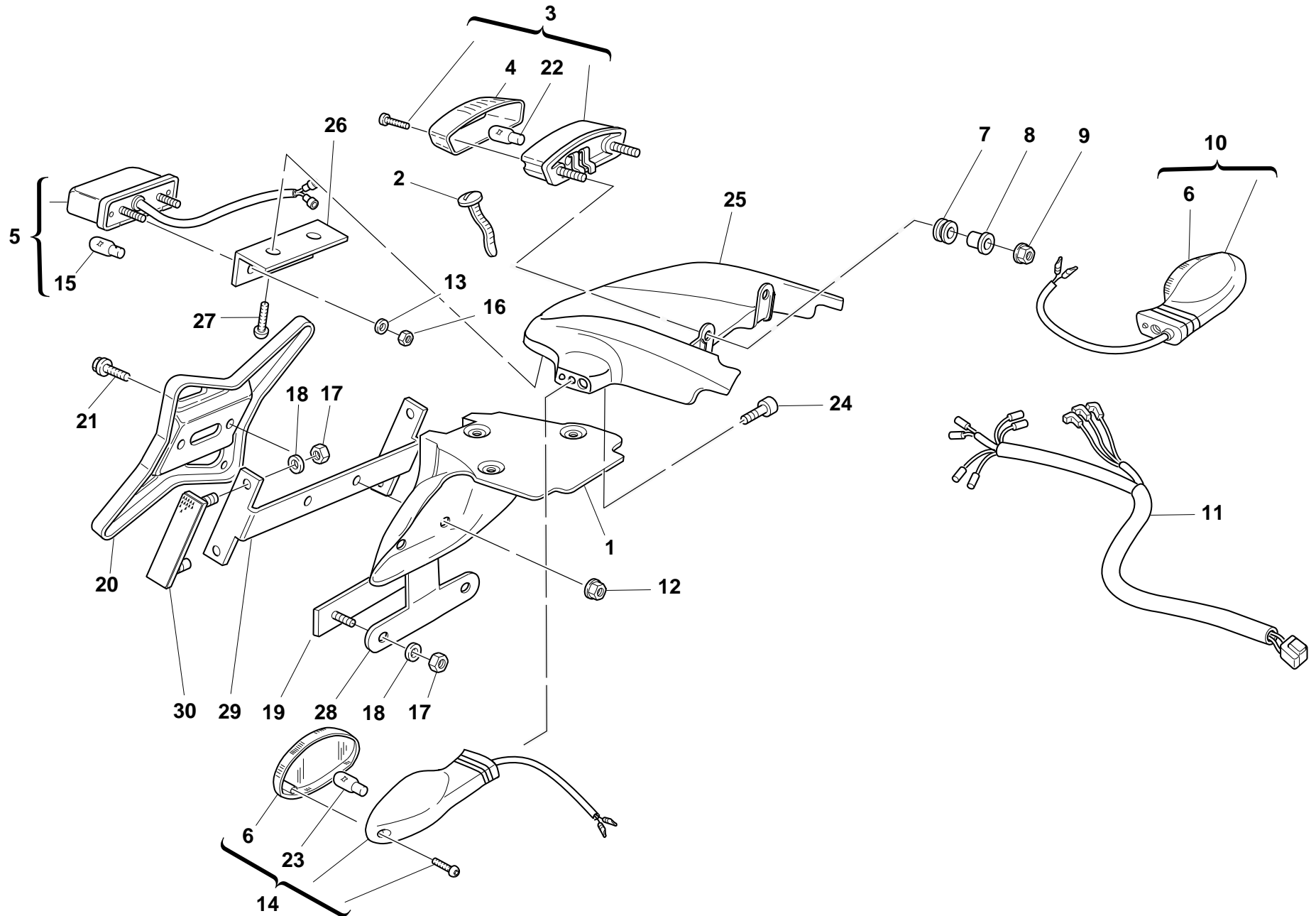
DRAWING **022** FRONT HEAD-LIGHT

NOTES	NO.	CODE NO.	DESCRIPTION	VALIDITY	Q.TY	
	1	520.4.006.1C	Complete headlight		1	
	2	8000.36726	Bulb		2	
	3	521.4.005.1A	Lamp holder		1	
	4	723.1.003.1A	Cap		1	
	5	510.1.075.1A	Electric wiring		1	
	6	60N102509	Screw		5	
	7	829.1.194.1A	Headlight holder		1	
	8	830.1.094.1A	R.H. bracket		1	
	9	530.4.007.1A	Turn indicator		1	
	10	532.4.004.1A	Cup		2	
	11	0796.38.305	Bulb 55/60W		1	
	12	8000.18048	Rubber pad		6	
	13	716.1.022.1A	Spacer		6	
	14	758.1.014.1A	Fairlead		1	
	15	0659.38.226	Bulb 4W		1	
	16	530.4.008.1A	Turn indicator		1	
	17	750.5.001.1A	Nut		4	
	18	707008N01	Screw		2	
	19	841.1.017.1A	Retainer		2	
	20	830.1.195.1A	L.H. bracket		1	
	21	881.1.023.1A	Ring		1	
	22	0797.41.090	Fairlead rubber ring		1	
	23	734306N01	Washer		1	
	24	60N102510	Screw		1	
	25	60N107335	Screw		2	

NOTES	NO.	CODE NO.	DESCRIPTION	VALIDITY	Q.TY	
-------	-----	----------	-------------	----------	------	---


DRAWING 023

PLATE HOLDER - REAR LIGHT



DRAWING **023** PLATE HOLDER - REAR LIGHT


NOTES	NO.	CODE NO.	DESCRIPTION	VALIDITY	Q.TY	
	1	561.1.015.1A	Number plate holder		1	
	2	741.4.020.1A	Clamp		1	
	3	525.4.007.2A	Tail lamp		1	
	4	526.4.003.1A	Cup		1	
	5	525.1.004.2A	Tail lamp		1	
	6	532.4.004.1A	Cup		2	
	7	0797.72.068	Vibration damper pad		2	
	8	0000.44099	Spacer		2	
	9	750.5.001.1A	Nut		2	
	10	530.4.010.1A	Turn indicator		1	
	11	510.1.076.1B	Electric wiring		1	
	12	729906FN1	Nut		2	
	13	60N115548	Washer		2	
	14	530.4.009.1A	Turn indicator		1	
	15	8000.36230	Bulb		1	
	16	729905FN1	El-stop nut		2	
	17	749.5.001.1A	Nut		6	
	18	852.5.001.1A	Washer		6	
	19	529.1.009.1A	Cat's eye		1	
	20	561.1.017.1B	Plate		1	
	21	772.5.023.1A	Screw		2	
	22	390.4.003.1A	Two-light bulb 12V 5/21W		1	
	23	8000.36726	Bulb		2	
	24	60N107335	Screw		2	
	25	565.1.014.1E	Protection		1	
	26	827.1.182.1A	Headlight holder		1	

NOTES	NO.	CODE NO.	DESCRIPTION	VALIDITY	Q.TY	
	27	771.5.617.2B	Screw		2	
	28	827.1.191.1A	Plate		1	
	29	829.1.136.1A	Holder		1	
	30	529.1.006.1A	Cat's eye		2	

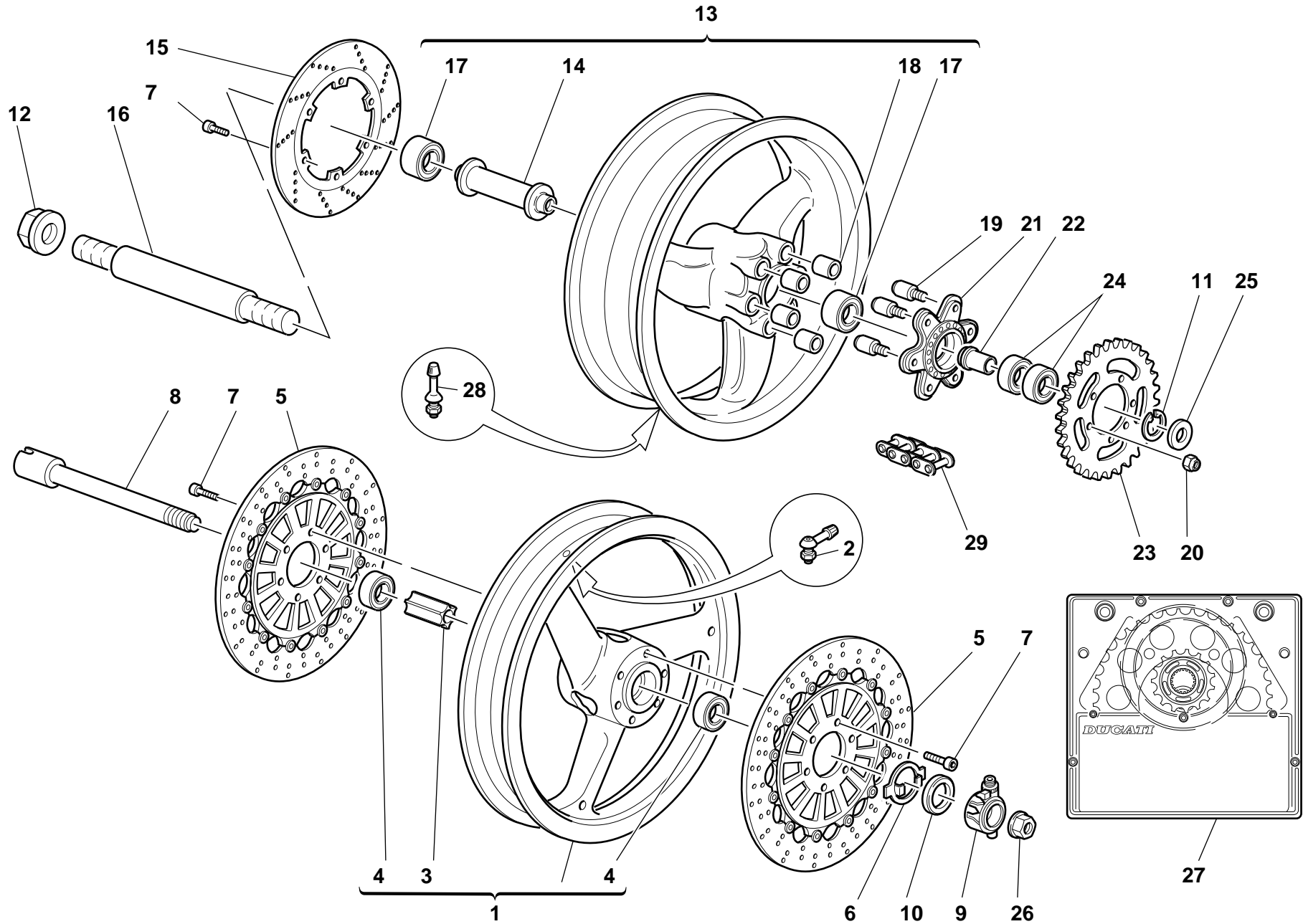


DRAWING **024** FRONT FORK

NOTES	NO.	CODE NO.	DESCRIPTION	VALIDITY	Q.TY	
	1	340.2.109.1A	R.H. fork leg assembly		1	
	2	349.1.095.1A	Centering ring		2	
	3	349.1.136.1A	Damper tube		2	
	4	340.2.110.1A	L.H. fork leg assembly		1	
	5	349.1.100.1A	Special washer		2	
	6	366.1.035.1A	Spring		2	
	7	349.1.137.1A	Spring coupling		2	
	8	349.1.064.1A	Slider		2	
	9	349.1.065.1A	Rubber cush drive hub		2	
	10	349.2.014.1A	Complete cap		2	
	11	349.1.098.1A	Snap ring		2	
	12	8000.70127	Clamp		2	
	13	8A00.69056	Screw		4	
	14	8000.70133	Clamp		1	
	15	349.2.010.1A	Adjusting screw		2	
	16	349.1.096.1A	Special washer		2	
	17	349.1.134.1A	Complete R.H. slider		1	
	18	349.1.101.1A	Dust seal		2	
	19	930.1.005.1A	Seal ring		2	
	20	349.1.102.1A	Check ring		2	
	21	349.1.103.1A	Bush		2	
	22	349.1.131.1A	Stanchion tube		2	
	23	349.1.104.1A	Bush		2	
	24	349.1.135.1A	Complete L.H. slider		1	
	25	741.1.019.1A	Clamp		1	
	26	884.1.005.1A	Ring		2	

NOTES	NO.	CODE NO.	DESCRIPTION	VALIDITY	Q.TY	
	27	779.1.099.1A	Special screw		2	
	28	417.9.030.8A	Nut		2	
	29	342.9.013.1A	Steering head base with pin		2	
	30	60N102557	Screw		8	
	31	0795.37.120	Ring nut		2	
	32	779.5.012.1A	Screw		1	
	33	873.1.016.1C	Cap		2	
	34	856.1.030.1A	Washer		2	
	35	341.1.017.2A	Steering head		1	
	36	529.1.001.1A	Cat's eye		2	


DRAWING 025 FRONT AND REAR WHEELS



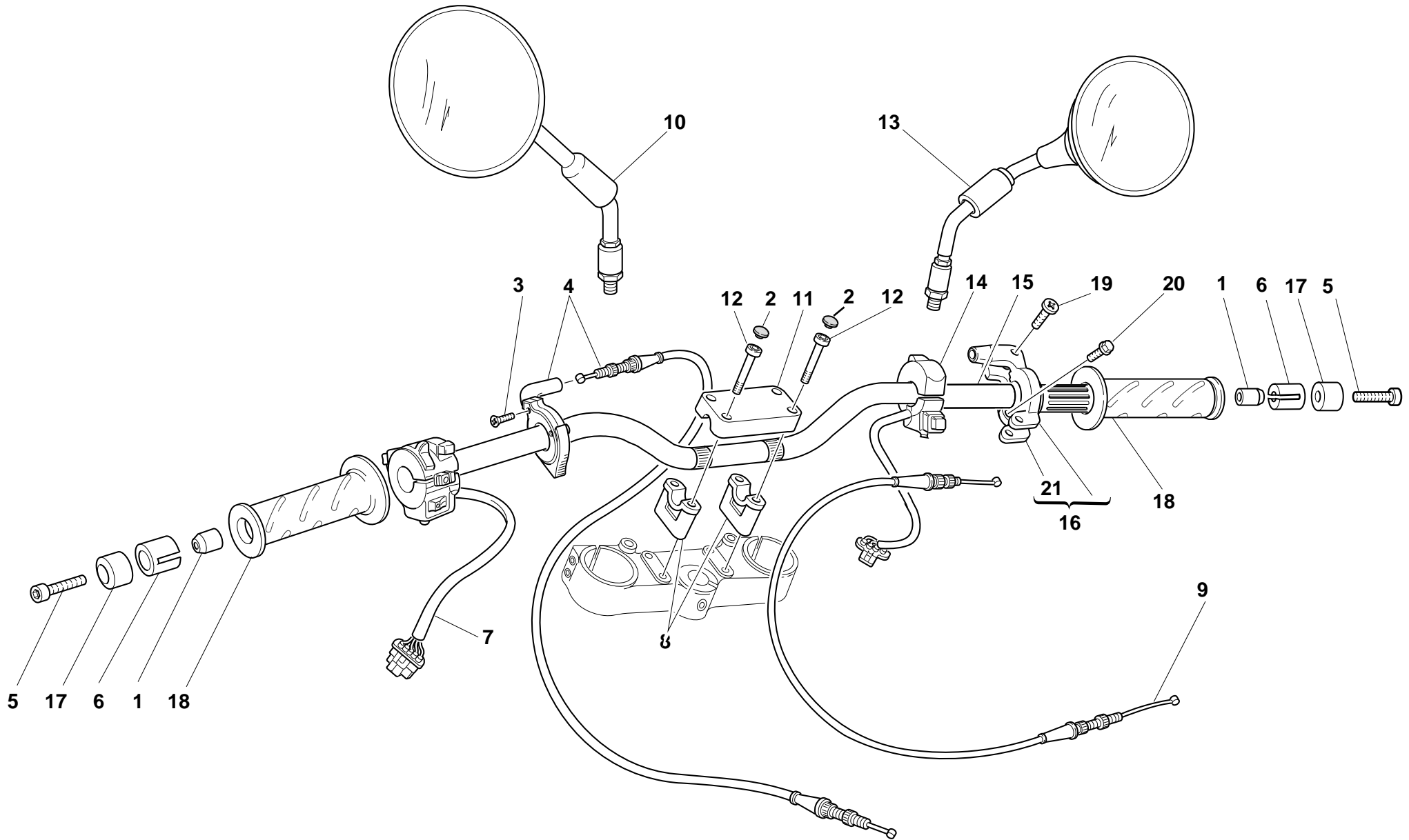


DRAWING **025** FRONT AND REAR WHEELS


NOTES	NO.	CODE NO.	DESCRIPTION	VALIDITY	Q.TY	
	1	501.2.019.1AF	Front wheel rim		1	
	2	497.2.001.2A	Valve		1	
	3	714.1.028.1A	Inner spacer		1	
	4	75162.2566	Bearing		2	
	5	492.4.024.1A	Brake disc		2	
	6	0000.62648	Relay drive ring		1	
	7	771.5.723.2B	Screw		6	
	8	819.1.017.1A	Front wheel spindle		1	
	9	8000.74049	Speedometer transmission		1	
	10	0000.64471	Seal ring		1	
	11	884.4.001.1A	Snap ring		1	
	12	748.1.008.1A	Nut		2	
	13	502.2.022.1AB	Rear wheel rim		1	
	14	714.1.040.1A	Inner spacer		1	
	15	492.4.003.1A	Brake disc		1	
	16	819.1.024.1A	Rear wheel spindle		1	
	17	75163.3268	Bearing		2	
	18	700.1.005.1A	Vibration damper		6	
	19	821.1.009.1B	Pin		6	
	20	748.4.024.1A	Nut		6	
	21	160.1.004.1B	Rear sprocket flange		1	
	22	710.1.006.1A	Bush		1	
	23	494.1.003.3A	Ring gear z=39		1	
	24	75162.2566	Bearing		2	
	25	713.1.032.1A	Spacer		1	
	26	748.1.014.1B	Fork nut		1	

NOTES	NO.	CODE NO.	DESCRIPTION	VALIDITY	Q.TY	
	27	676.2.035.1A	Final drive kit		1	
	28	0803.77.010	Valve		1	
	29	676.4.003.3A	Chain (98 Links)		1	

DRAWING 026 HALF HANDLEBARS

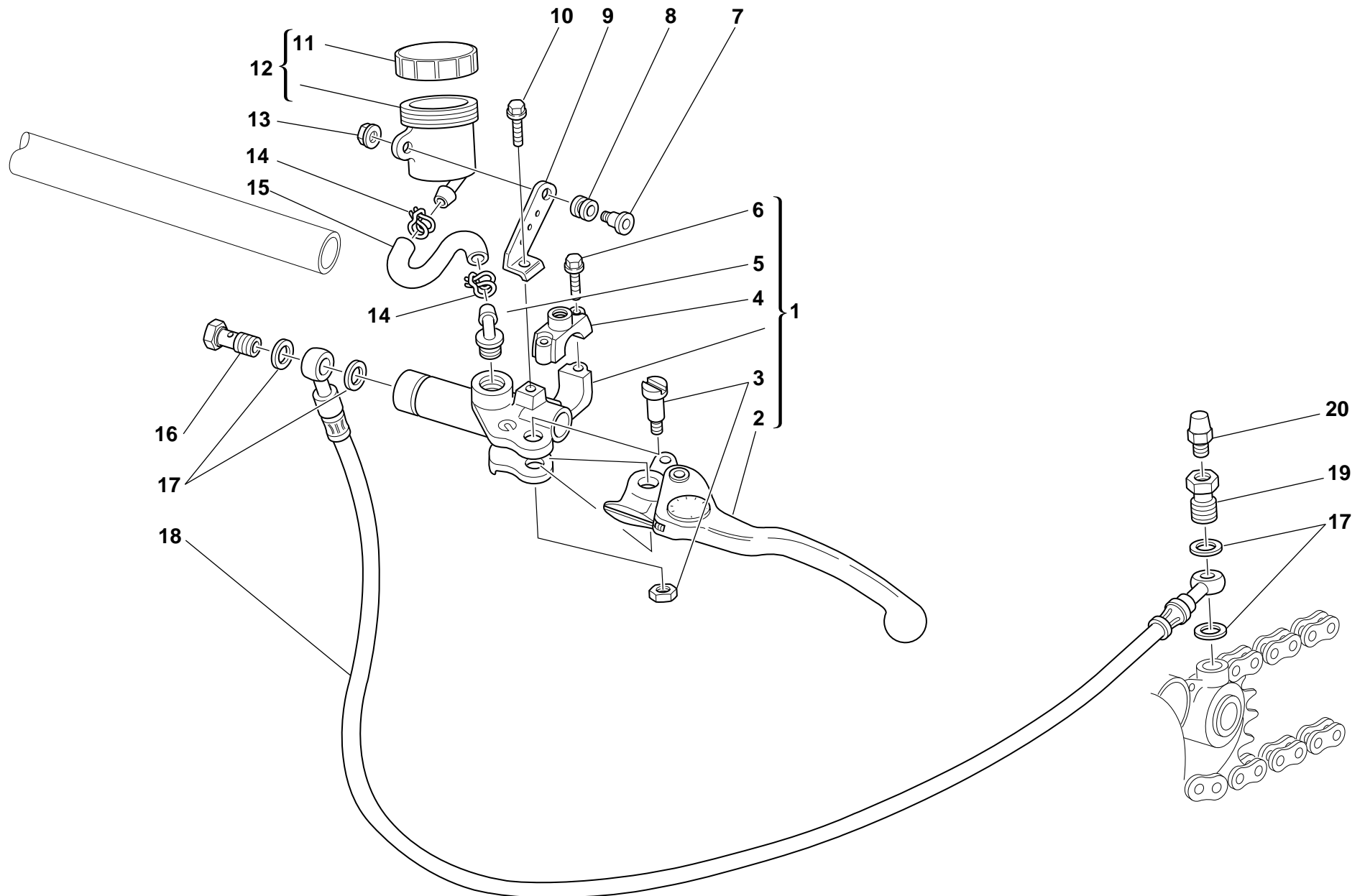


DRAWING **026** HALF HANDLEBARS


NOTES	NO.	CODE NO.	DESCRIPTION	VALIDITY	Q.TY	
	1	711.1.072.1A	Bush		2	
	2	0659.37.040	Cap		4	
	3	777.5.210.2A	Screw		2	
	4	655.2.002.1A	Starter control transmission		1	
	5	771.5.075.2B	Screw		2	
	6	710.1.067.1A	Bush		2	
	7	651.4.007.2A	L.H. switch		1	
	8	360.1.010.1C	Stud bolt		2	
	9	656.1.026.1A	Throttle control tube		1	
	10	523.4.003.1C	L.H. rear-view mirror		1	
	11	360.1.016.1C	Bracket		1	
	12	771.5.001.2B	Screw		4	
	13	523.4.002.1C	R.H. rear-view mirror		1	
	14	650.4.006.2A	R.H. switch		1	
	15	360.1.023.1A	Handlebar		1	
	16	654.2.008.1A	Throttle control		1	
	17	153.1.003.1A	Counterweight		2	
	18	8000.78345	Grips pair		1	
	19	8000.66774	Screw		1	
	20	772.5.023.1A	Screw		2	
	21	658.4.002.1B	Cover		1	

NOTES	NO.	CODE NO.	DESCRIPTION	VALIDITY	Q.TY	
-------	-----	----------	-------------	----------	------	---

DRAWING **027** CLUTCH CONTROL



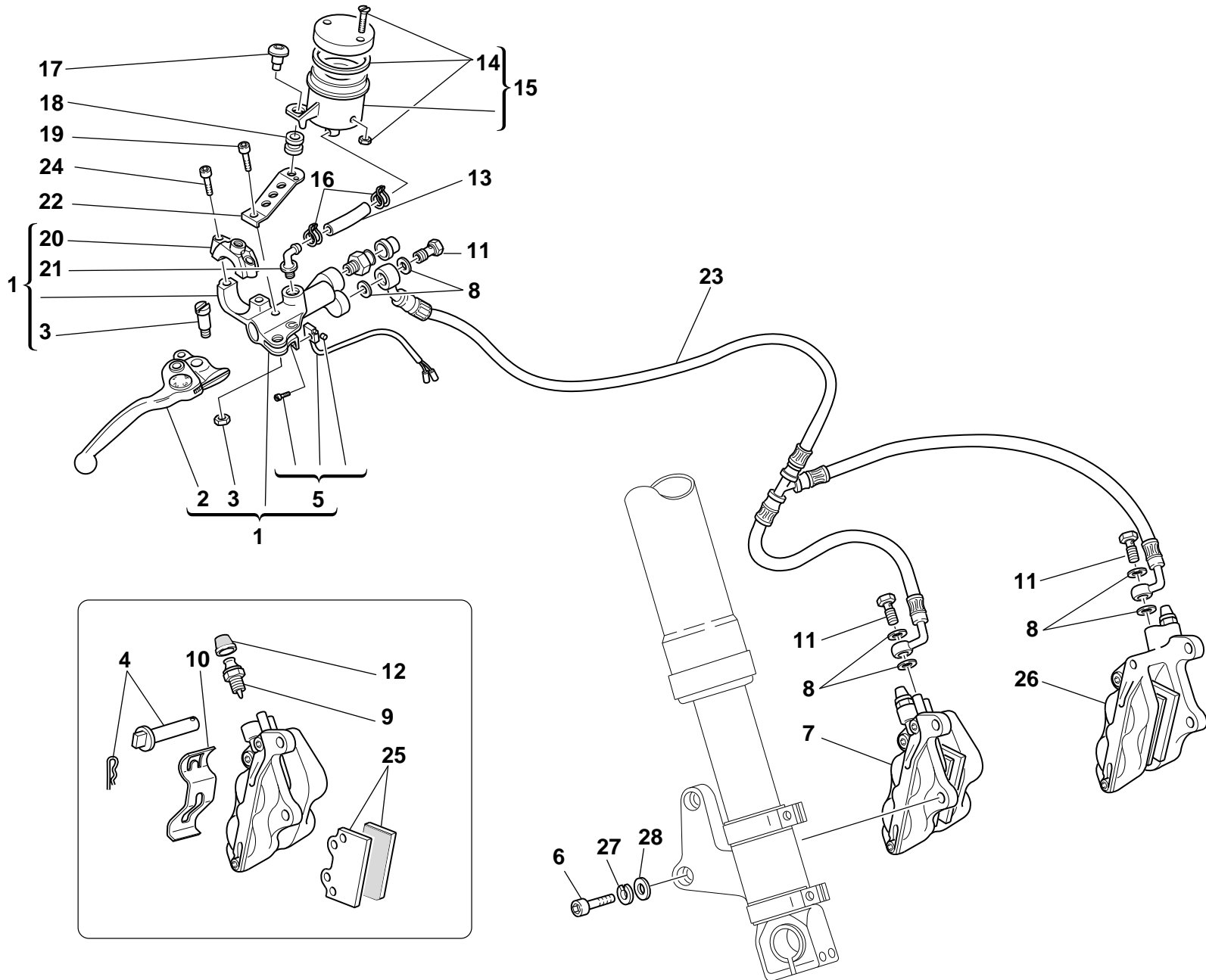
DRAWING **027** **CLUTCH CONTROL**

NOTES	NO.	CODE NO.	DESCRIPTION	VALIDITY	Q.TY	
	1	630.4.004.1D	Clutch drive pump		1	
	2	631.4.009.1A	Lever with dowel		1	
	3	626.4.009.1A	Spare lever pin		1	
	4	626.4.015.1A	Spare bracket		1	
	5	631.4.008.1A	Spare union		1	
	6	771.5.669.2B	Screw		2	
	7	779.1.092.1A	Screw		1	
	8	0370.72.020	Vibration damper pad		1	
	9	829.1.061.1C	Bracket		1	
	10	70700.6N02	Screw		1	
	11	893.4.005.1A	Cap		1	
	12	0000.61078	Complete oil tank		1	
	13	8000.56443	Nut		1	
	14	741.4.043.1A	Clamp		2	
	15	877.1.049.1A	Tube		1	
	16	779.1.058.1A	Special screw		1	
	17	420.2.001.0A	Copper gasket		4	
	18	632.1.009.1L	Clutch control pipe (METAL PLAITED)		1	
	19	779.1.082.1A	Filler		1	
	20	0000.33552	Bleed		1	

NOTES	NO.	CODE NO.	DESCRIPTION	VALIDITY	Q.TY	
-------	-----	----------	-------------	----------	------	---


DRAWING 028

FRONT BRAKE

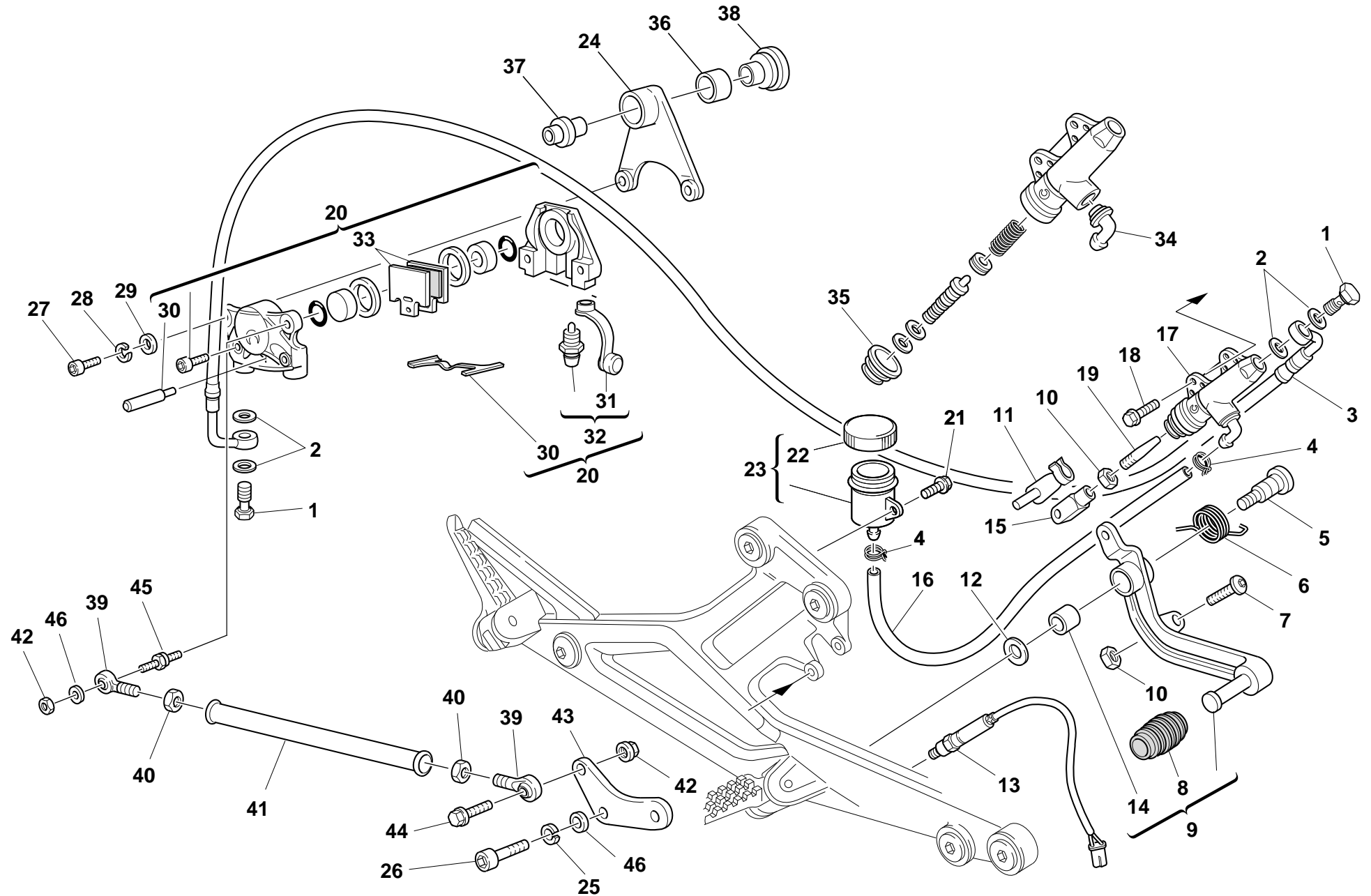


DRAWING **028** FRONT BRAKE

NOTES	NO.	CODE NO.	DESCRIPTION	VALIDITY	Q.TY	
	1	624.4.012.1C	Front brake pump		1	
	2	626.4.007.1A	Lever with dowel		1	
	3	626.4.009.1A	Spare lever pin		1	
	4	612.4.014.1A	Spare pins and spring		2	
	5	539.4.021.1A	Microswitch		1	
	6	771.5.431.2B	Screw		4	
	7	610.4.012.2B	R.H. brake caliper		1	
	8	420.2.001.0A	Copper gasket		6	
	9	631.4.004.1A	Spare bleed union		2	
	10	612.4.017.1A	Spring		2	
	11	779.1.058.1A	Special screw		3	
	12	612.4.008.1A	Dust seal		1	
	13	877.1.069.1A	Tube		1	
	14	8000.68490	Spare cap		1	
	15	0000.66181	Complete oil tank		1	
	16	741.4.043.1A	Clamp		2	
	17	779.1.092.1A	Screw		1	
	18	0370.72.020	Vibration damper pad		1	
	19	707006N02	Screw		1	
	20	626.4.014.1A	Spare bracket		1	
	21	631.4.008.1A	Spare union		1	
	22	829.1.132.1B	Plate		1	
	23	618.4.036.1B	Caliper pump pipe (METAL PLAITED)		1	
	24	771.5.669.2B	Screw		2	
	25	613.4.020.1A	Pads pair		2	
	26	610.4.011.2B	L.H. brake caliper		1	

NOTES	NO.	CODE NO.	DESCRIPTION	VALIDITY	Q.TY	
	27	734010N01	Spring washer		4	
	28	734310N01	Washer		4	


DRAWING 029 REAR BRAKE



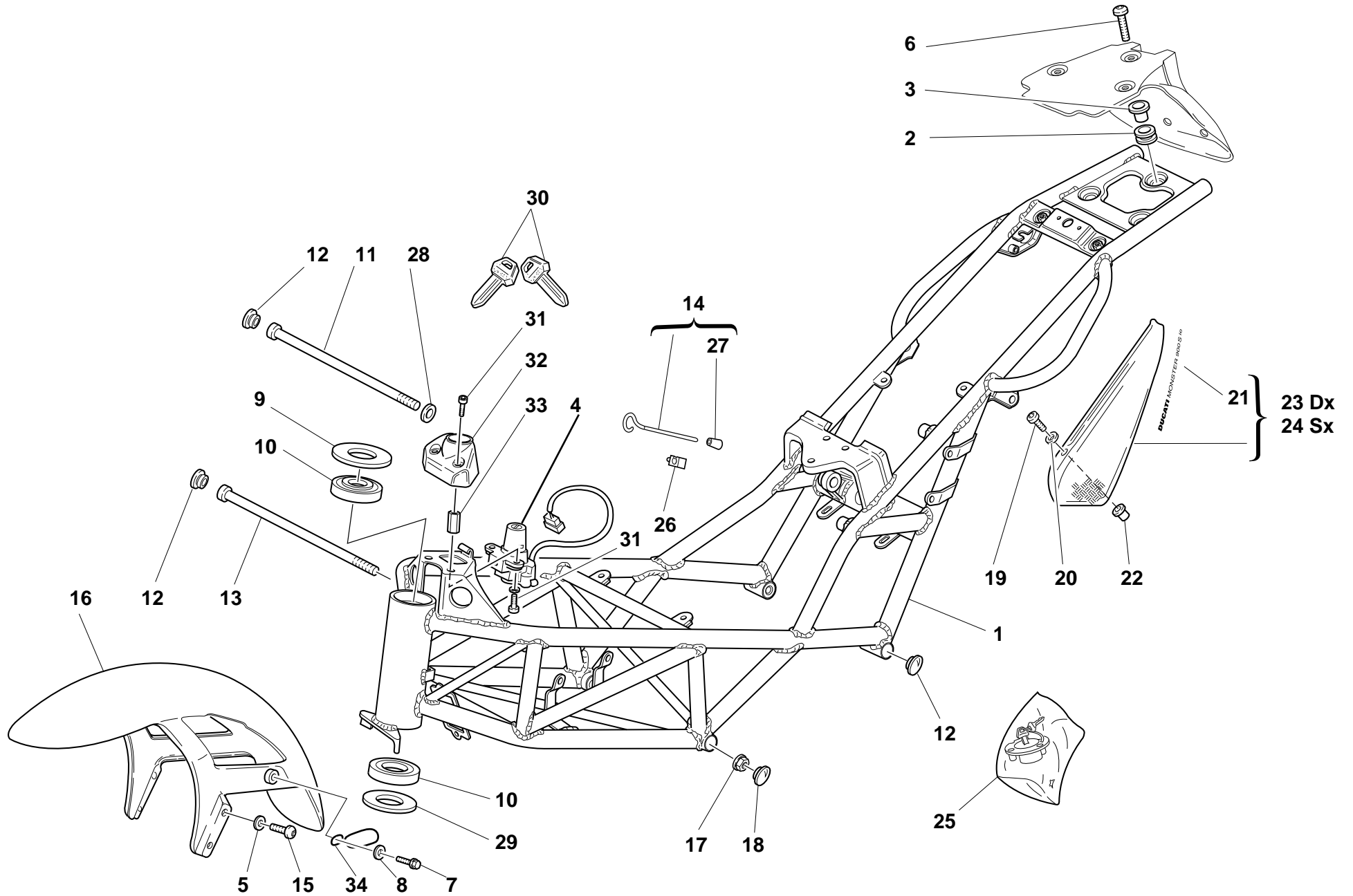


DRAWING **029** REAR BRAKE


NOTES	NO.	CODE NO.	DESCRIPTION	VALIDITY	Q.TY	
	1	779.1.058.1A	Special screw		2	
	2	420.2.001.0A	Copper gasket		4	
	3	619.4.013.1E	Rear brake line (METAL PLAITED)		1	
	4	741.4.043.1A	Clamp		2	
	5	00A0.53548	Pin		1	
	6	799.1.044.1A	Spring		1	
	7	779.1.054.1AA	Special screw		1	
	8	765.1.001.1A	Rubber pad		1	
	9	457.2.007.1A	Brake control lever		1	
	10	417.9.030.6A	Nut		2	
	11	850.1.005.1A	Spring		1	
	12	0000.59485	Washer		1	
	13	539.4.003.1B	Switch		1	
	14	0000.59056	Bush		1	
	15	00A0.55757	Fork		1	
	16	877.1.071.1A	Tube		1	
	17	625.4.005.1AB	Rear brake pump		1	
	18	772.5.023.1A	Screw		2	
	19	0000.62586	Adjuster rod		1	
	20	611.4.002.4A	Rear brake caliper		1	
	21	772.5.025.1A	Screw		1	
	22	893.4.005.1A	Cap		1	
	23	585.4.001.1A	Complete oil tank		1	
	24	825.1.011.1A	Caliper holder plate		1	
	25	734010N01	Spring washer		2	
	26	771.5.724.2B	Screw		2	


NOTES	NO.	CODE NO.	DESCRIPTION	VALIDITY	Q.TY	
	27	771.5.723.2B	Screw		2	
	28	734008N01	Spring washer		2	
	29	0670.80.010	Washer		2	
	30	0000.48744	Spare pins and spring		1	
	31	612.4.008.1A	Dust seal		1	
	32	0000.39727	Spare bleed union		1	
	33	613.4.031.1A	Pads pair		1	
	34	631.4.008.1A	Spare union		1	
	35	626.4.013.1A	Dust cover		1	
	36	712.4.005.1A	Bush		1	
	37	711.1.038.1A	Bush		1	
	38	711.1.039.1A	Bush		1	
	39	76401.0014	Ball joint		2	
	40	60N115035	Nut		2	
	41	877.1.044.1B	Reaction rod		1	
	42	763108N01	Nut		2	
	43	827.1.135.1A	Plate		1	
	44	8000.62732	Screw		1	
	45	821.1.025.1A	Pin		1	
	46	0670.80.010	Washer		3	

DRAWING **030** FRAME

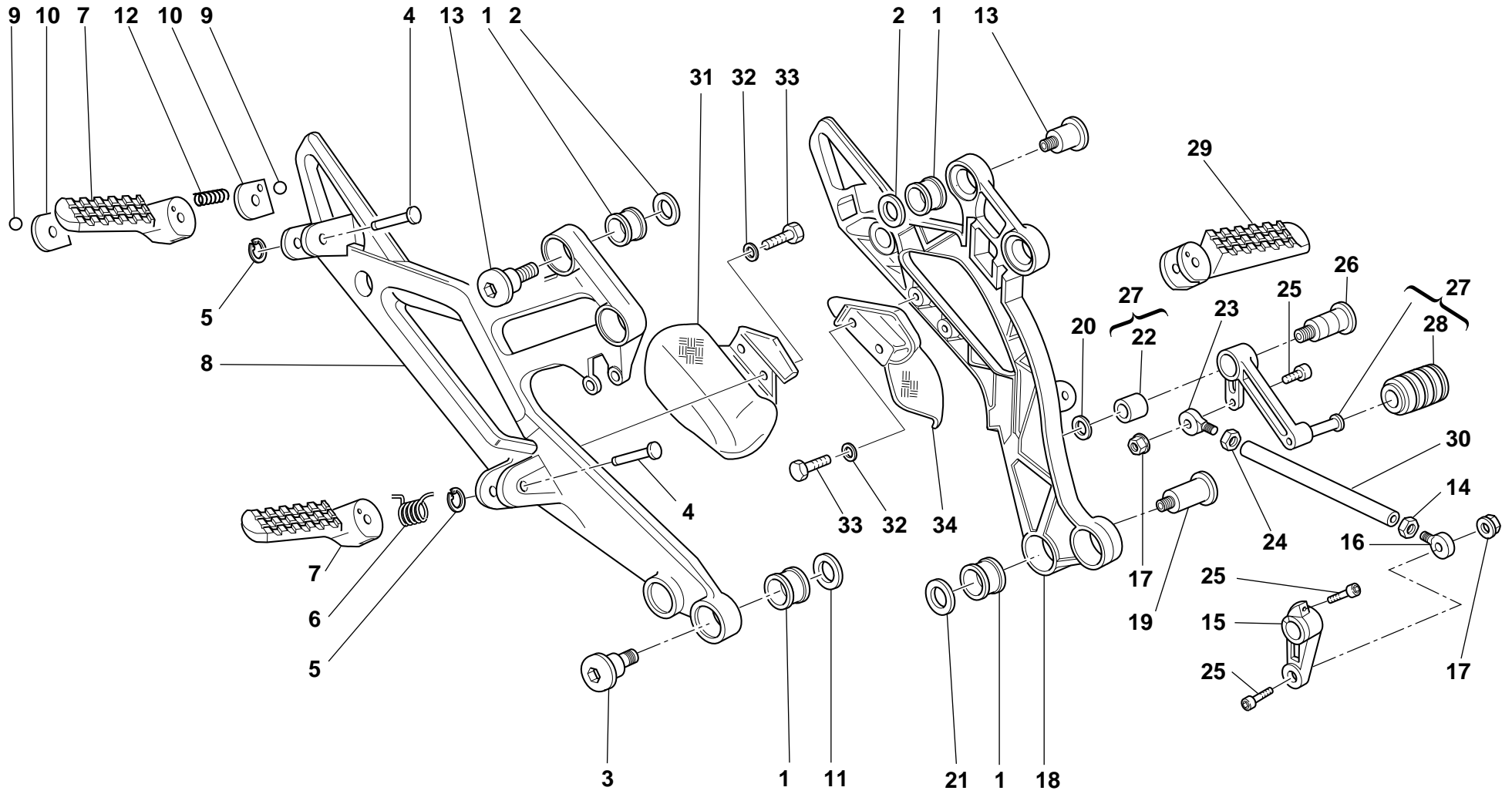


DRAWING **030** FRAME


NOTES	NO.	CODE NO.	DESCRIPTION	VALIDITY	Q.TY	
	1	470.1.031.3CF	Frame		1	
	2	764.1.029.1A	Rubber pad		4	
	3	0000.44099	Spacer		4	
	4	652.4.004.3A	Key-operated switch		1	
	5	856.1.042.1A	Nylon washer		4	
	6	772.5.023.1A	Screw		4	
	7	734306N01	Washer		1	
	8	80B0.55703	Screw		1	
	9	0691.37.020	Special washer		1	
	10	0691.91.010	Bearing		1	
	11	779.1.001.1A	Screw		1	
	12	872.1.002.1A	Cap		3	
	13	779.1.014.1A	Screw		1	
	14	117.2.027.1A	Rod		1	
	15	772.5.023.1A	Screw		4	
	16	564.1.031.1A	Front mudguard (CARBON)		1	
	17	729910FF1	Nut		1	
	18	872.1.008.1A	Cap		1	
	19	775.1.002.1A	Screw		4	
	20	8000.63161	Washer		4	
	21	436.1.097.1HA	Sticker "DUCATI MONSTER 900S"		2	
	22	8000.63150	Insert		4	
	23	482.1.033.1BA	R.H. body panel		1	
	24	482.1.031.1GA	L.H. body panel		1	
	25	598.2.029.1A	Locks kit		1	
	26	764.1.010.1A	Rubber pad		1	


NOTES	NO.	CODE NO.	DESCRIPTION	VALIDITY	Q.TY	
	27	764.1.015.1A	Push rod		1	
	28	734010N01	Spring washer		1	
	29	852.1.096.1A	Washer		1	
	30	598.4.011.1A	Wrench		1	
	31	771.5.064.2B	Screw		4	
	32	246.1.010.1A	Cover		1	
	33	713.1.086.1A	Spacer		2	
	34	758.1.020.1A	Fairlead		1	

DRAWING **031** GEARCHANGE LEVER - FOOT REST

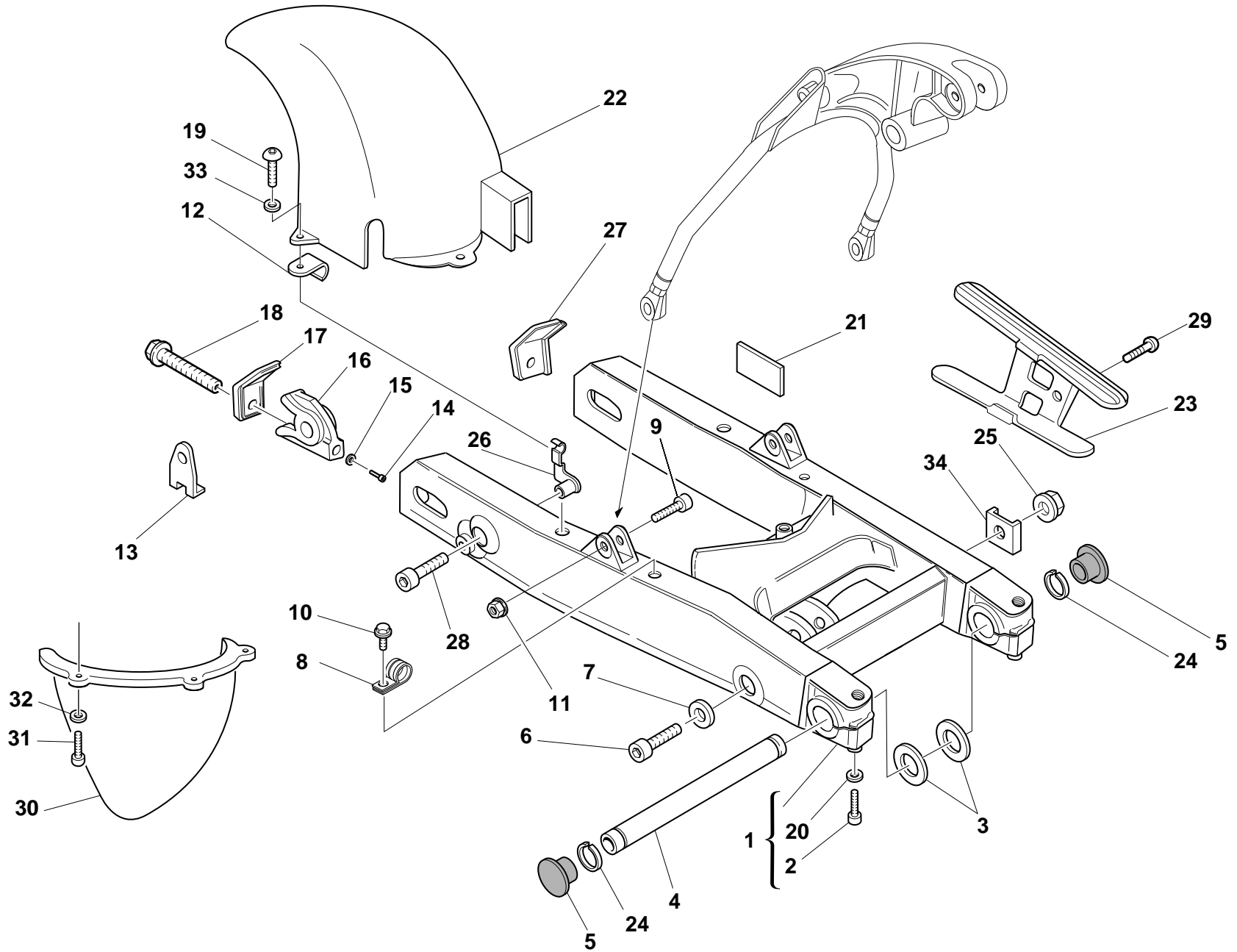


DRAWING **031** GEARCHANGE LEVER - FOOT REST


NOTES	NO.	CODE NO.	DESCRIPTION	VALIDITY	Q.TY	
	1	8000.60683	Vibration damper		8	
	2	852.1.065.1A	Washer		4	
	3	779.1.178.1A	Screw		2	
	4	821.1.090.1A	Pin		4	
	5	0170.91.730	Ring		4	
	6	8000.60700	Spring		2	
	7	464.1.017.1A	R.H. foot-rest		2	
	8	824.1.024.1A	R.H. foot peg holder plate		1	
	9	847.4.002.1A	Ball		2	
	10	827.1.161.1A	Plate		2	
	11	852.1.099.1A	Washer		3	
	12	8000.62655	Spring		2	
	13	8000.62568	Screw		4	
	14	417.9.030.6A	Nut		1	
	15	0370.69.020	Gearchange control lever		1	
	16	76401.0002	Ball joint		1	
	17	763106N01	El-stop nut		2	
	18	824.1.023.1A	L.H. foot peg holder plate		1	
	19	779.1.093.1A	Screw		2	
	20	8000.59485	Washer		1	
	21	716.1.056.1A	Spacer		1	
	22	8000.59056	Bush		1	
	23	76401.0003	Ball joint		1	
	24	747.5.001.1A	L.H. nut		1	
	25	779.5.001.1A	Screw		1	
	26	80A0.53548	Pin		1	


NOTES	NO.	CODE NO.	DESCRIPTION	VALIDITY	Q.TY	
	27	456.2.009.1A	Gearchange lever		1	
	28	765.1.001.1A	Rubber pad		1	
	29	464.1.018.1A	L.H. foot-rest		2	
	30	117.1.028.1A	Gearbox transmission rod		1	
	31	460.1.038.3A	Protection		1	
	32	0670.72.010	Washer		4	
	33	60N101077	Screw		4	
	34	460.1.039.3A	Protection		1	

DRAWING 032 REAR FORK

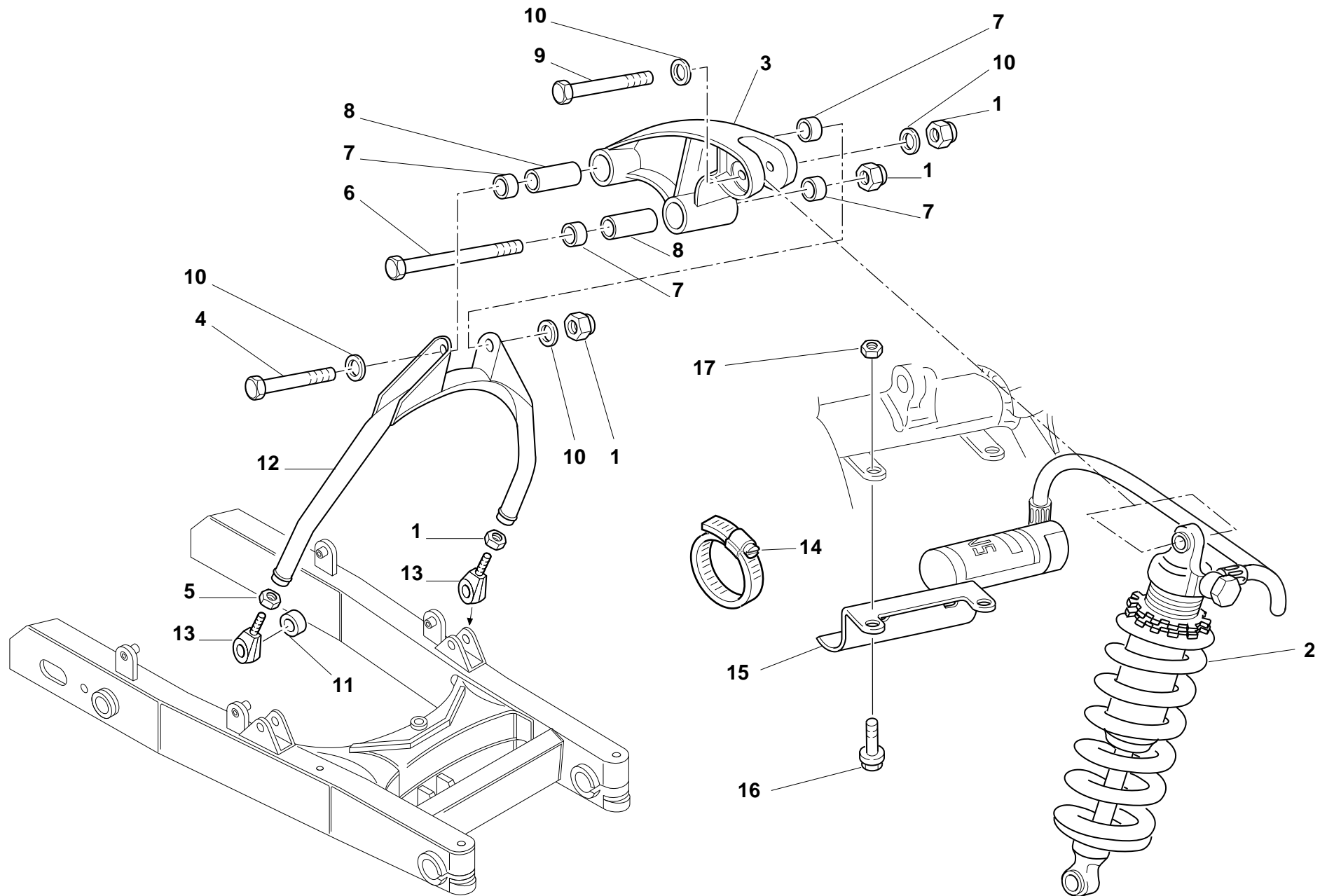


DRAWING **032** REAR FORK

NOTES	NO.	CODE NO.	DESCRIPTION	VALIDITY	Q.TY	
	1	370.1.002.2C	Swingarm		1	
	2	60N102584	Screw		2	
	3	852.1.001.1A	Shim th. 1.8		2	
	3	852.1.002.1A	Shim th. 0.2		2	
	4	369.1.004.1A	Swingarm pivot		1	
	5	872.1.019.1A	Cap		2	
	6	771.1.001.1A	Special screw		1	
	7	734310N01	Washer		1	
	8	741.4.062.1A	Clip		1	
	9	779.1.002.1B	Special screw		2	
	10	8A00.67997	Screw		1	
	11	729908FN1	Nut		2	
	12	760.1.012.2A	Clip		1	
	13	374.1.002.1A	Locking jaw		2	
	14	771.5.004.2B	Screw		2	
	15	852.1.079.1A	Washer		2	
	16	373.1.001.1A	Adjusting wheel holder		2	
	17	373.1.002.1A	R.H. cover		1	
	18	779.1.037.1A	Screw		2	
	19	779.1.119.2A	Screw		3	
	20	0670.92.190	Shim th. 2		2	
	21	433.1.232.1A	Plate		1	
	22	565.1.019.1B	Rear mudguard (CARBON)		1	
	23	447.1.001.1BB	Chain sliding shoe (GREY)		1	
	24	884.4.007.1A	Snap ring		2	
	25	763010N01	El-stop nut		1	


NOTES	NO.	CODE NO.	DESCRIPTION	VALIDITY	Q.TY	
	26	827.1.083.1A	Plate		1	
	27	373.1.004.1A	L.H. cover		1	
	28	71502.2594	Screw		1	
	29	0370.99.013	Screw		3	
	30	565.1.023.1A	Rear lower mudguard		1	
	31	0000.55698	Screw		3	
	32	8000.56391	Nylon washer		3	
	33	0364.99.710	Nylon gasket		3	
	34	827.1.029.1A	Plate		1	

DRAWING 033 REAR SUSPENSION



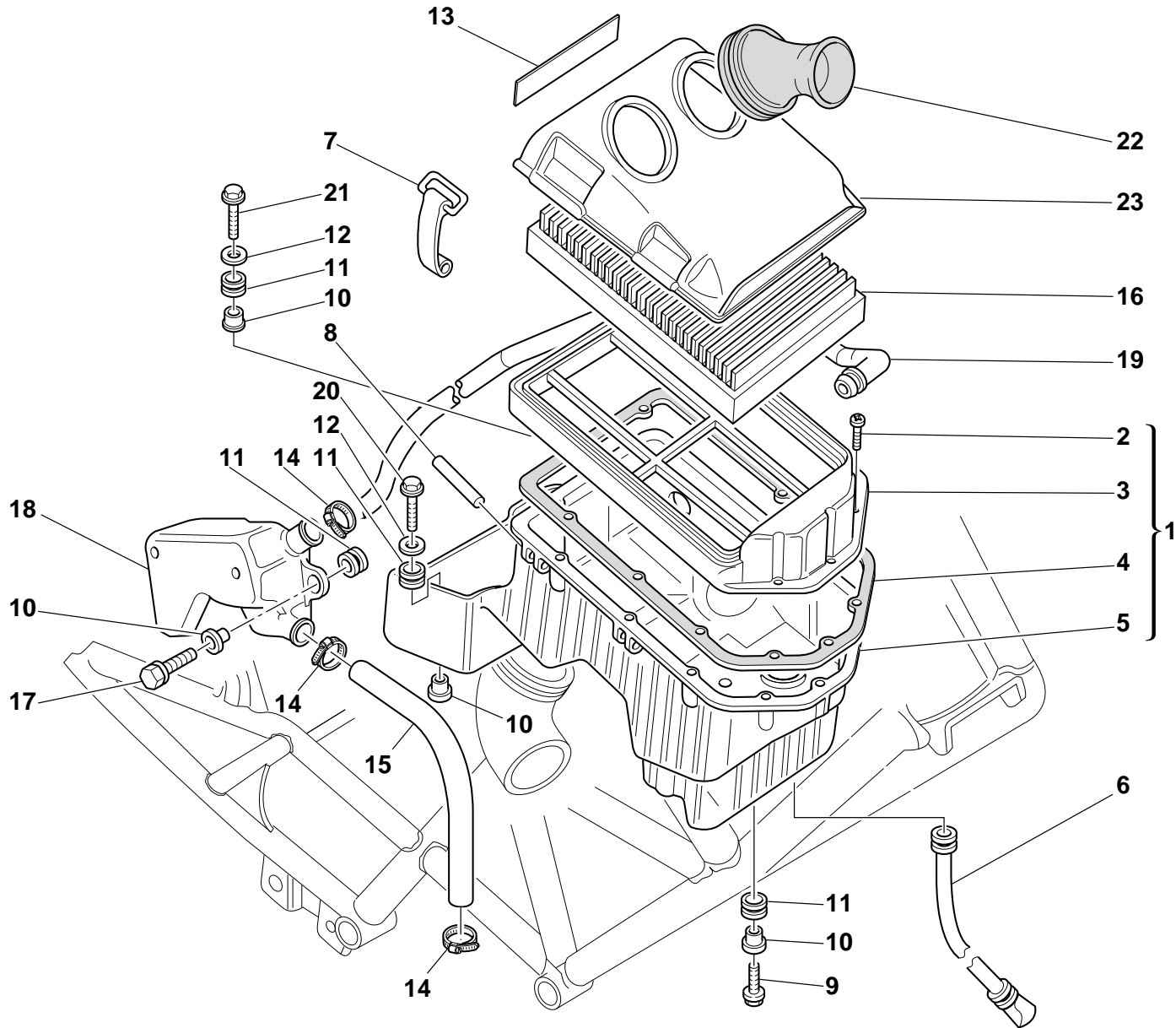


DRAWING **033** REAR SUSPENSION


NOTES	NO.	CODE NO.	DESCRIPTION	VALIDITY	Q.TY	
	1	763010N01	EI-stop nut		3	
	2	365.2.036.1A	Shock absorber		1	
	3	372.1.002.2A	Rocker assembly		1	
	4	770.5.687.2C	Screw		1	
	5	750.1.010.1A	Nut		2	
	6	779.1.005.1A	Screw		1	
	7	76400.1514	Needle bearing		4	
	8	715.1.001.1A	Spacer		2	
	9	70621.0150	Screw		1	
	10	0670.59.010	Shim		5	
	11	712.1.008.1A	Bush		2	
	12	371.1.003.2BG	Complete fork (GOLD)		1	
	13	76401.0006	Ball joint		2	
	14	0370.98.765	Clamp		2	
	15	829.1.250.1A	Holder		1	
	16	772.5.024.1A	Screw		2	
	17	0000.44240	Nut		2	

NOTES	NO.	CODE NO.	DESCRIPTION	VALIDITY	Q.TY	
-------	-----	----------	-------------	----------	------	---

DRAWING **034** AIR INDUCTION - OIL VENT

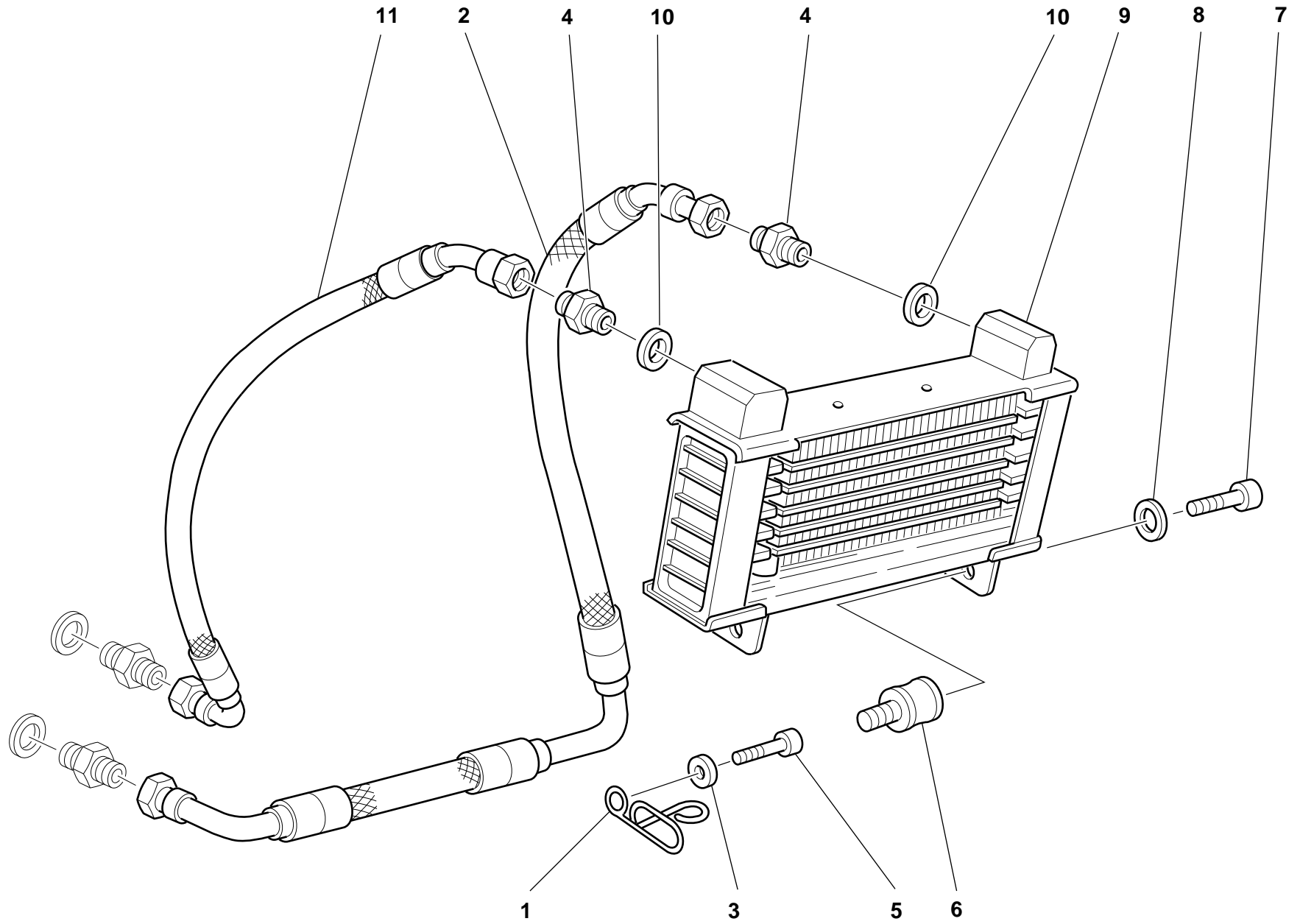


DRAWING **034** AIR INDUCTION - OIL VENT

NOTES	NO.	CODE NO.	DESCRIPTION	VALIDITY	Q.TY	
	1	442.2.041.1B	Air filter box		1	
	2	774.5.002.1A	Self-tapping screw		12	
	3	442.1.007.2A	Upper half-case		1	
	4	788.1.027.1A	Gasket		1	
	5	442.1.042.1B	Lower half-case		1	
	6	877.2.045.1A	Exhaust pipe		1	
	7	760.1.003.1A	Hook		4	
	8	74223.1045	Spring pin		4	
	9	772.5.023.1A	Screw		1	
	10	716.1.022.1A	Spacer		5	
	11	8000.18048	Rubber pad		5	
	12	852.5.003.1A	Washer		2	
	13	432.1.305.1A	Plate		1	
	14	741.4.002.1A	Clamp		3	
	15	876.1.050.1A	Breather pipe		1	
	16	0370.98.610	Filter element		1	
	17	772.5.024.1A	Screw		2	
	18	585.1.013.1A	Oil breather tank		1	
	19	876.1.072.1A	Breather pipe		1	
	20	60N102509	Screw		1	
	21	60N102511	Screw		1	
	22	135.1.008.2A	Air funnel		2	
	23	246.1.046.1B	Filter case cover		1	

NOTES	NO.	CODE NO.	DESCRIPTION	VALIDITY	Q.TY	
-------	-----	----------	-------------	----------	------	---

DRAWING **035** OIL COOLER

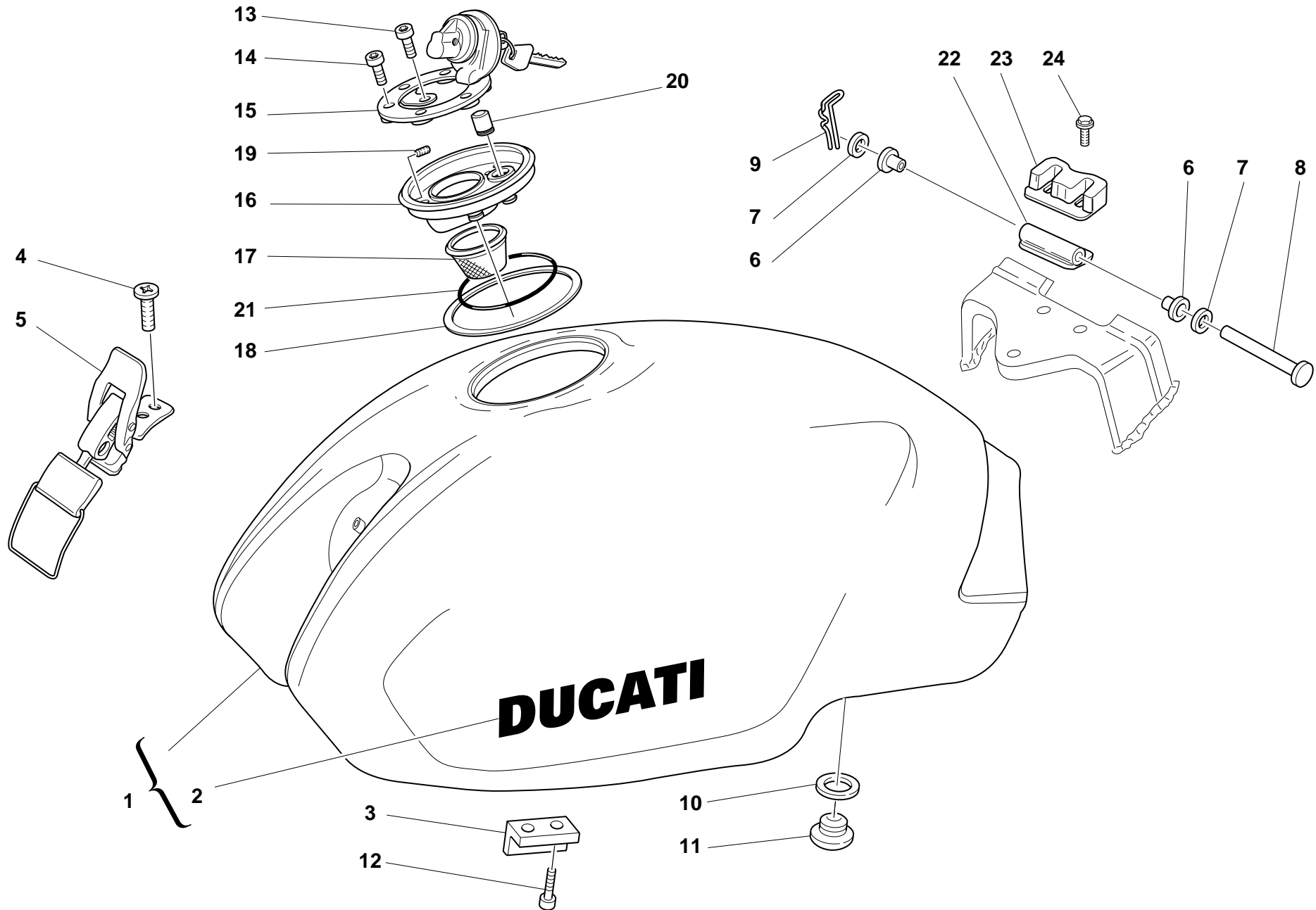


DRAWING **035** OIL COOLER


NOTES	NO.	CODE NO.	DESCRIPTION	VALIDITY	Q.TY	
	1	829.1.109.1A	Guide ring		1	
	2	875.1.026.2B	Oil return pipe		1	
	3	734306N01	Washer		1	
	4	815.1.005.1A	Nipple		2	
	5	60N102511	Screw		1	
	6	700.1.011.1A	Vibration damper		2	
	7	707006N02	Screw		2	
	8	841.1.028.1A	Retainer		2	
	9	548.4.025.1A	Oil cooler		1	
	10	220.2.017.6A	Aluminium gasket		2	
	11	875.1.025.2B	Oil delivery pipe		1	


NOTES	NO.	CODE NO.	DESCRIPTION	VALIDITY	Q.TY	
-------	-----	----------	-------------	----------	------	---

DRAWING 036 FUEL TANK

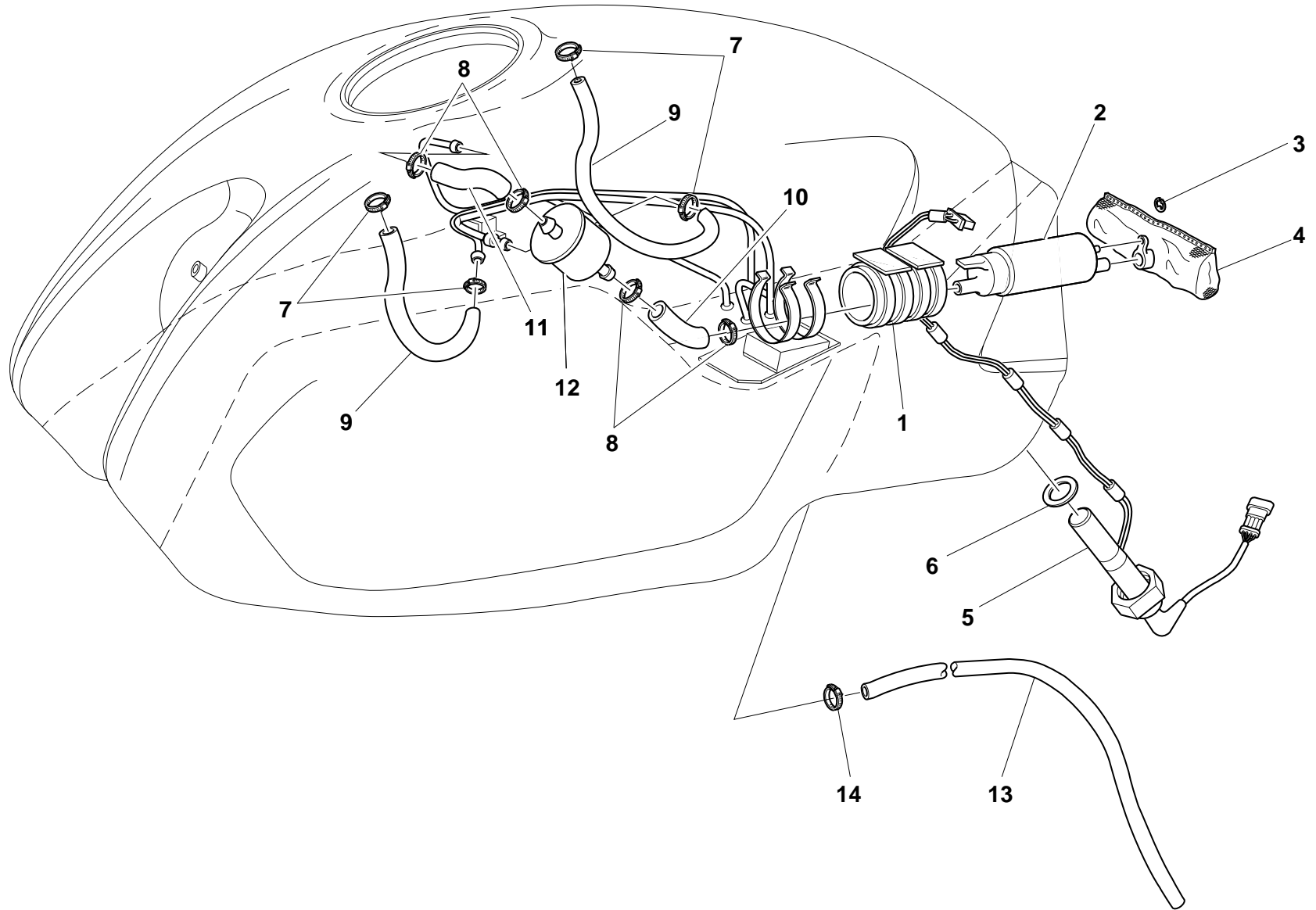


DRAWING **036** FUEL TANK

NOTES	NO.	CODE NO.	DESCRIPTION	VALIDITY	Q.TY	
	1	586.1.031.1AA	Fuel tank (RED)		1	
	1	586.1.031.1AB	Fuel tank (BLACK)		1	
	1	586.1.031.1AC	Fuel tank (YELLOW)		1	
	2	435.1.097.1AA	Sticker "DUCATI" (RED,BLUE,BLACK)		2	
	2	435.1.097.1AB	Sticker "DUCATI" (GREY,YELLOW)		2	
	3	866.1.039.2A	Rubber pad		2	
	4	777.5.019.7E	Screw		2	
	5	760.4.006.1A	Hook		1	
	6	712.1.013.1A	Bush		2	
	7	80C0.05893	Shim		2	
	8	821.1.028.2B	Pin		1	
	9	8000.62705	Split pin		1	
	10	420.2.001.0A	Copper gasket		1	
	11	8000.77921	Screw		1	
	12	779.5.004.1A	Screw		2	
	13	771.5.040.2B	Screw		1	
	14	771.5.045.7E	Screw		3	
	15	895.4.001.2A	Tank cap		1	
	16	160.1.013.1B	Cap		1	
	17	802.1.005.1A	Hose		1	
	18	791.1.015.1A	Gasket		1	
	19	779.5.007.1A	Screw		8	
	20	791.1.039.1A	Gasket		1	
	21	886.4.011.1A	O-Ring		1	
	22	827.2.134.1A	Plate		1	
	23	866.1.037.1A	Pad		1	


NOTES	NO.	CODE NO.	DESCRIPTION	VALIDITY	Q.TY	
	24	772.5.023.1A	Screw		2	

DRAWING **037** FUEL SYSTEM



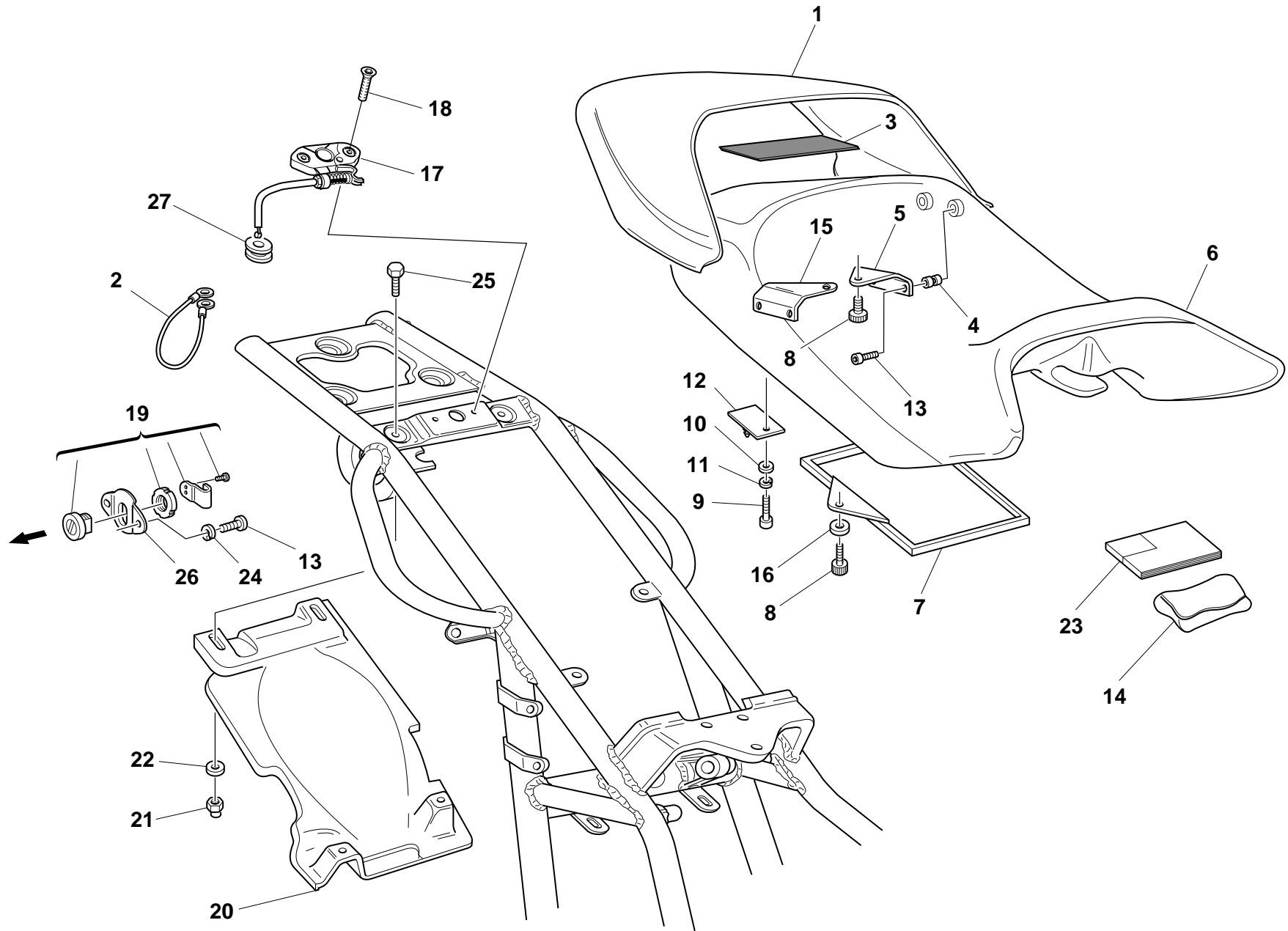


DRAWING **037** **FUEL SYSTEM**


NOTES	NO.	CODE NO.	DESCRIPTION	VALIDITY	Q.TY	
	1	829.1.021.2A	Holder		1	
	2	430.4.004.1A	Fuel pump		1	
	3	884.4.012.1A	Circlip		1	
	4	425.4.008.1A	Fuel filter		1	
	5	592.1.005.2B	Low fuel sensor		1	
	6	789.1.001.1A	Gasket		1	
	7	741.4.008.2A	Clamp		4	
	8	741.4.004.1A	Clamp		4	
	9	590.1.127.1A	Air separator/pump pipe		2	
	10	590.1.125.1A	Tube		1	
	11	590.1.126.1A	Tube		1	
	12	425.4.004.1B	Fuel filter		1	
	13	590.1.136.1A	Breather pipe		1	
	14	741.4.066.1A	Clamp		1	


NOTES	NO.	CODE NO.	DESCRIPTION	VALIDITY	Q.TY	
-------	-----	----------	-------------	----------	------	---

DRAWING **038** SEAT

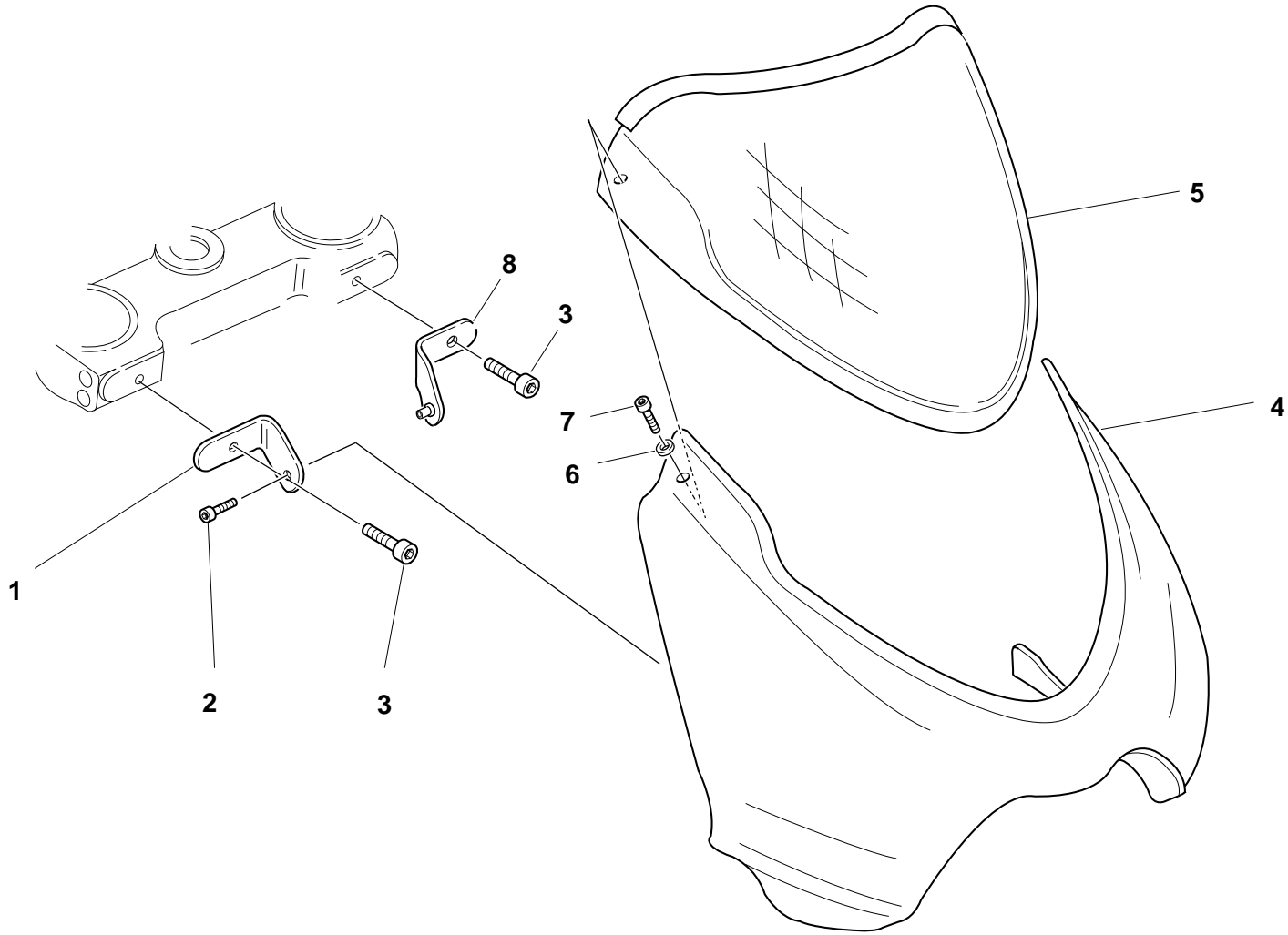


DRAWING **038** SEAT

NOTES	NO.	CODE NO.	DESCRIPTION	VALIDITY	Q.TY	
	1	595.1.025.1BA	Red cover		1	
	1	595.1.025.1BB	Black cover		1	
	1	595.1.025.1BC	Yellow cover		1	
	1	595.3.025.1A	Cover for pillion rider seat (unpainted)		1	
	2	732.1.007.1A	Helmet anti-theft wire		1	
	3	791.1.021.1A	Gasket		1	
	4	850.4.016.1A	Threaded insert		6	
	5	827.1.097.1A	L.H. plate		1	
	6	595.1.036.1A	Seat padding		1	
	7	247.1.086.1A	Cover		1	
	8	779.1.104.1A	Special screw		3	
	9	779.5.010.1A	Screw		2	
	10	734306N01	Washer		2	
	11	734006N01	Spring washer		2	
	12	829.2.237.1A	Pin		1	
	13	60N102482	Screw		9	
	14	697.2.006.1B	Tool bag		1	
	15	827.1.096.1A	R.H. plate		1	
	16	8000.56391	Nylon washer		1	
	17	732.2.010.2A	Flexible cable		1	
	18	777.5.036.2B	Screw		2	
	19	598.2.019.1A	Seat lock		1	
	20	565.1.017.2A	Mudflap		1	
	21	8000.44240	Nut		4	
	22	0670.72.010	Washer		4	
	23	913.7.060.1D	Owner's manual		1	

NOTES	NO.	CODE NO.	DESCRIPTION	VALIDITY	Q.TY	
	24	734005N01	Spring washer		2	
	25	60N101077	Screw		2	
	26	829.1.236.1A	Plate		1	
	27	764.1.029.1A	Rubber pad		1	

DRAWING **039** HEADLIGHT FAIRING



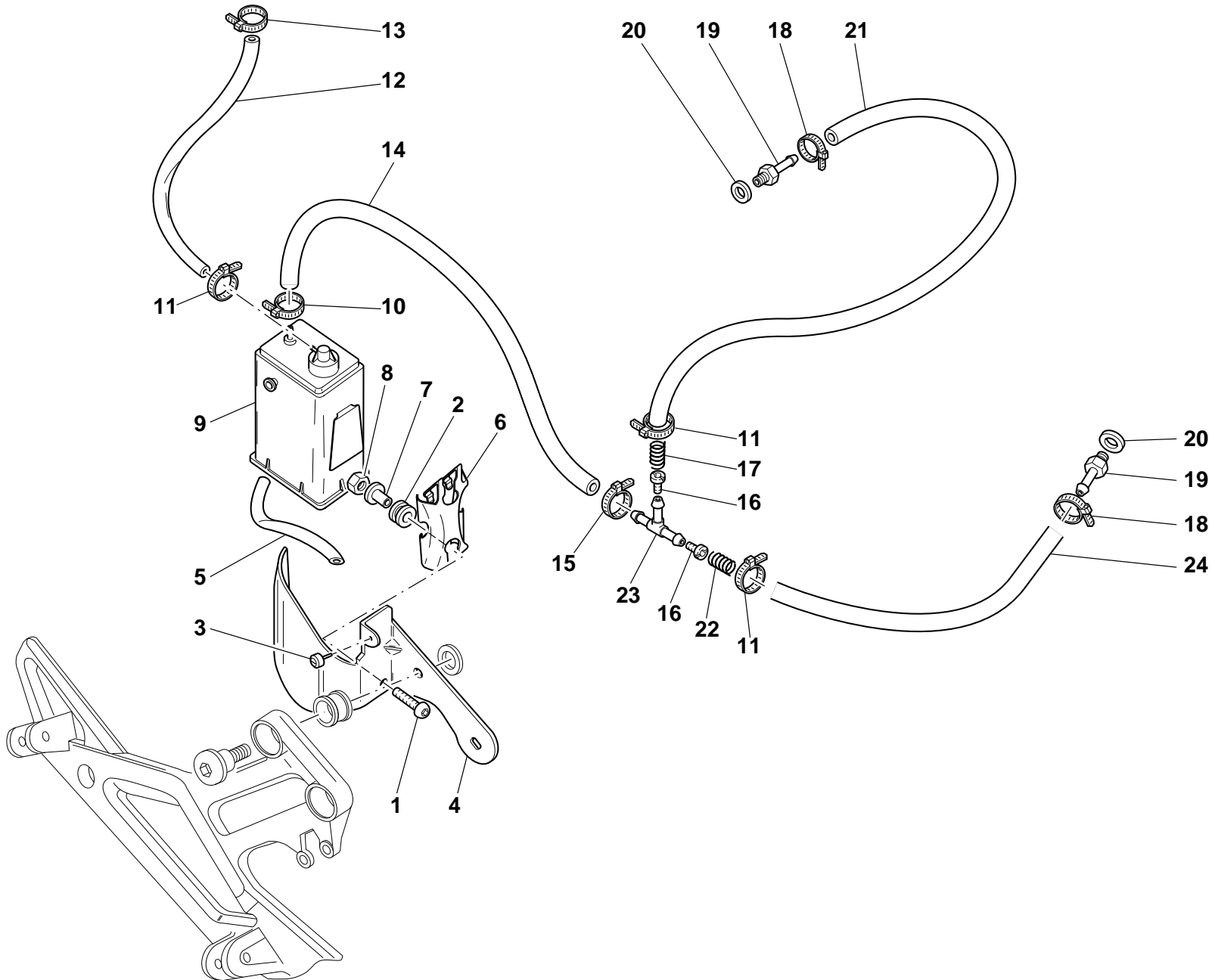
DRAWING **039** HEADLIGHT FAIRING

NOTES	NO.	CODE NO.	DESCRIPTION	VALIDITY	Q.TY	
	1	830.2.201.1A	R.H. bracket		1	
	2	8H00.67545	Screw		2	
	3	779.1.195.1A	Screw		2	
	4	481.1.023.1AA	Headlight fairing (RED)		1	
	4	481.1.023.1AB	Headlight fairing (BLACK)		1	
	4	481.1.023.1AC	Headlight fairing (YELLOW)		1	
	5	487.1.023.1A	Windshield		1	
	6	8000.56359	Washer		2	
	7	779.1.088.1A	Screw		2	
	8	830.2.202.1A	L.H. bracket		1	


NOTES	NO.	CODE NO.	DESCRIPTION	VALIDITY	Q.TY	
-------	-----	----------	-------------	----------	------	---

DRAWING 040

FUEL INFEED



DRAWING **040** FUEL INFEED

NOTES	NO.	CODE NO.	DESCRIPTION	VALIDITY	Q.TY	
	1	779.1.008.1A	Screw		2	
	2	764.1.029.1A	Rubber pad		2	
	3	8000.66308	Vibration damper pad		1	
	4	827.1.186.1A	Bracket		1	
	5	590.1.141.1A	Tube		1	
	6	827.1.157.1A	Plate		1	
	7	716.1.043.1A	Spacer		2	
	8	0000.44240	Nut		2	
	9	426.1.007.1B	CANISTER filter		1	
	10	741.4.058.1A	Clamp		1	
	11	741.4.063.1A	Clamp		3	
	12	590.1.137.1A	Tube		1	
	13	741.4.057.1A	Clamp		1	
	14	590.1.138.1A	Tube		1	
	15	741.4.059.1A	Clamp		1	
	16	0615.27.143	Idling jet 50		2	
	17	799.1.103.1A	Spring		1	
	18	741.4.001.1A	Clamp		2	
	19	0370.98.880	Union		2	
	20	0250.70.223	Aluminium gasket		2	
	21	590.1.140.1A	Tube		1	
	22	799.1.105.1A	Spring		1	
	23	0361.98.850	Shunt valve		1	
	24	590.1.139.1A	Tube		1	

NOTES	NO.	CODE NO.	DESCRIPTION	VALIDITY	Q.TY	
-------	-----	----------	-------------	----------	------	---

DRAWING **041**

MARKING PLATES

OBJECTS IN MIRROR ARE  
CLOSER THAN THEY APPEAR

Cod.43311661A

2

**CAUTION**

NEVER FILL TANK SO FUEL LEVEL RISES INTO FILLER  
NECK. IF TANK IS OVERFILLED, HEAT MAY CAUSE  
FUEL TO EXPAND AND FLOW INTO EVAPORATIVE  
EMISSION CONTROL SYSTEM RESULTING IN HARD  
STARTING AND ENGINE HESITATION.

Cod.43311641A

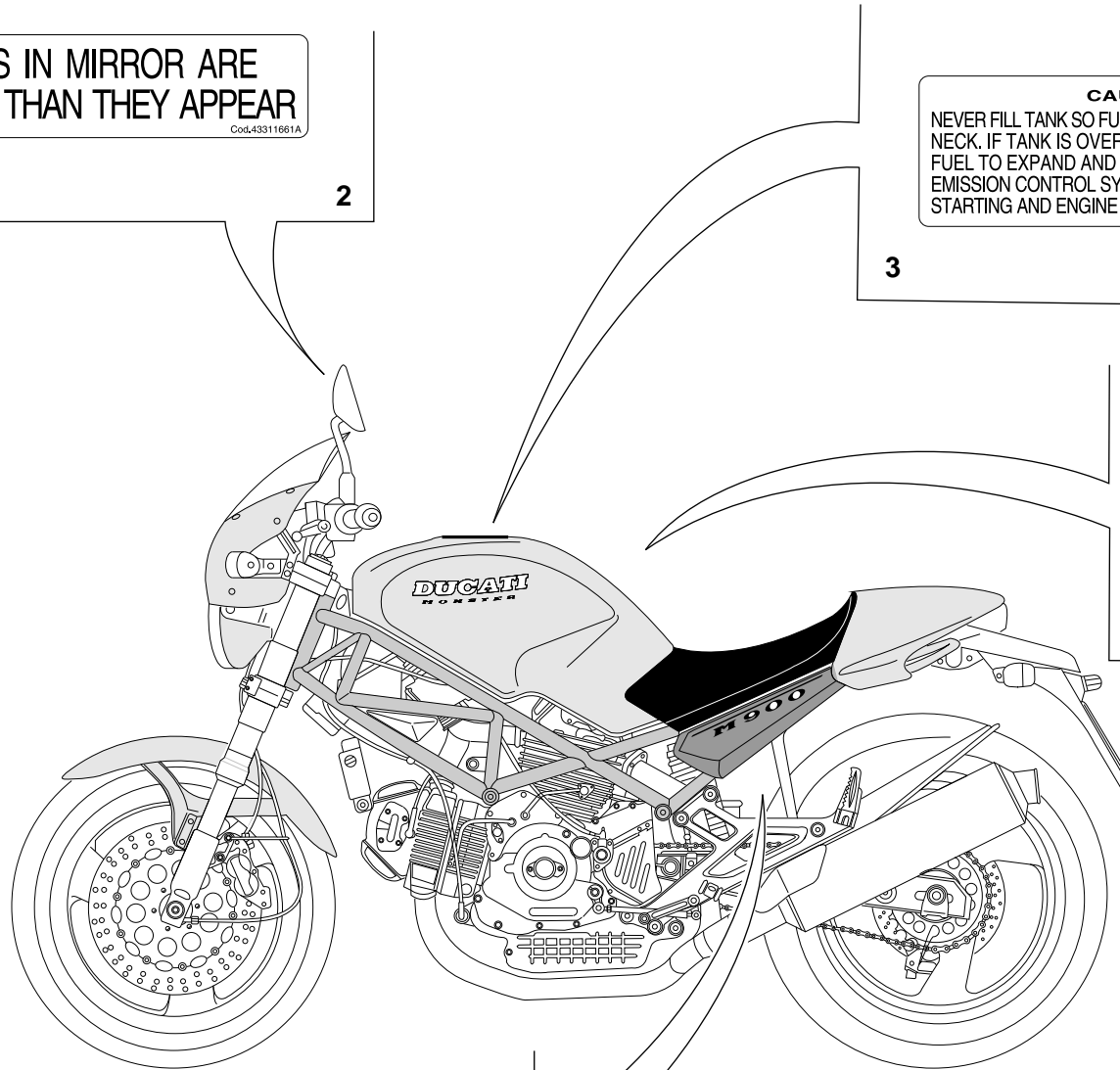
3

WARNING : YOUR DUCATI MOTORCYCLE IS EQUIP-  
PED WITH A WARNING LIGHT FLASHING WHEN THE  
SIDE STAND IS LOWERED (ON).  
HOWEVER, IT IS THE RIDER'S RESPONSIBILITY TO  
INSURE THAT THE SIDE STAND IS STOWED COM-  
PLETELY BEFORE STARTING OUT. FAILURE TO  
OBSERVE THIS WARNING COULD RESULT IN AN  
UPSET AND CONSEQUENT SERIOUS BODILY  
INJURY.

4


HELMET HOLDER  
UNDER THE SEAT

1



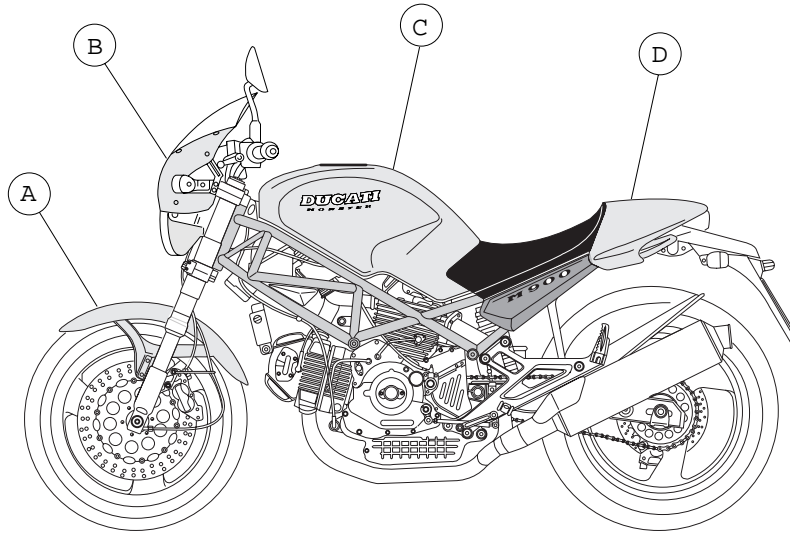


DRAWING **041** MARKING PLATES

NOTES	NO.	CODE NO.	DESCRIPTION	VALIDITY	Q.TY	
	1	433.1.170.1A	Sticker		1	
	2	433.1.166.1A	Label		2	
	3	433.1.164.1A	Sticker		1	
	4	439.1.002.1A	Sticker		1	

NOTES	NO.	CODE NO.	DESCRIPTION	VALIDITY	Q.TY	
-------	-----	----------	-------------	----------	------	---

**PAINTS**



- A Front fender
- B Headlight fairing
- C Fuel tank
- D Tailset cover

Paint	Code	LECHLER	Code	SALCHI	Code	PPG
"Rosso Anniversary DUCATI"			473.101			
"Grigio metallizzato DUCATI"			291.601			
"Nero metallizzato DUCATI"			291.500			
"Giallo DUCATI"			473.201			
"Blu metallizzato DUCATI"			291.800			

**INDEX**

CODE No.	Drwg.	POS. N.	CODE No.	Drwg.	POS. N.	CODE No.	Drwg.	POS. N.	CODE No.	Drwg.	POS. N.	CODE No.	Drwg.	POS. N.
0000.30326	20	10	0124.40.050	12	9	0375.92.170	14	14	0659.37.040	26	2	0670.16.164	3	15
0000.33552	27	20	0124.40.060	8	12	0375.92.170	15	17	0659.38.226	22	15	0670.16.165	3	15
0000.39727	29	32	0150.70.120	5	17	0375.92.210	14	13	0660.13.045	2	15	0670.16.170	3	26
0000.44099	23	8	0150.70.120	9	28	0375.92.210	15	19	0660.13.060	2	19	0670.16.171	3	26
0000.44099	30	3	0150.92.280	2	5	0400.09.050	2	21	0660.13.070	2	13	0670.16.184	3	15
0000.44119	1	15	0170.91.730	31	5	0400.16.190	13	14	0660.13.133	2	7	0670.16.185	3	15
0000.44120	1	16	0204.70.105	13	7	0400.17.030	4	36	0660.13.143	2	9	0670.17.395	14	25
0000.44240	18	25	0214.07.350	2	22	0400.17.030	7	1	0660.13.165	2	25	0670.17.395	15	23
0000.44240	33	17	0214.07.350	8	26	0400.29.040	8	11	0660.16.145	4	21	0670.49.310	9	26
0000.44240	40	8	0250.70.223	16	12	0400.29.125	2	34	0660.29.030	13	9	0670.49.910	9	21
0000.48744	29	30	0250.70.223	40	20	0400.29.126	13	17	0660.47.040	6	13	0670.59.010	33	10
0000.55698	32	31	0251.47.050	3	1	0400.29.126	2	34	0660.49.053	9	17	0670.72.010	18	15
0000.56803	18	36	0251.47.054	3	1	0400.49.240	11	18	0660.49.800	9	19	0670.72.010	31	32
0000.59056	29	14	0272.91.090	2	8	0400.49.240	5	13	0660.49.920	10	34	0670.72.010	38	22
0000.59485	29	12	0335.03.465	16	25	0404.02.390	20	4	0660.50.020	12	8	0670.80.010	29	29
0000.61078	27	12	0361.98.850	40	23	0504.03.085	2	5	0660.70.065	9	4	0670.80.010	29	46
0000.62586	29	19	0364.99.710	32	33	051.2.001.1A	1	3	0660.92.183	14	16	0670.92.010	10	8
0000.62648	25	6	0370.49.250	10	22	0615.27.143	40	16	0660.92.183	15	18	0670.92.190	14	8
0000.63150	18	34	0370.69.020	31	15	0619.47.030	6	12	0660.92.240	14	15	0670.92.190	15	8
0000.64471	25	10	0370.72.020	27	8	0619.50.065	12	17	0660.92.240	15	10	0670.92.190	32	20
0000.66181	28	15	0370.72.020	28	18	0619.84.015	20	2	0660.92.310	13	18	0675.03.210	1	17
0000.66526	18	37	0370.84.005	20	1	0619.92.180	14	8	0665.49.680	5	8	0675.49.540	5	24
0000.66527	18	38	0370.92.050	13	12	0619.92.180	15	8	0670.16.145	3	7	0691.37.020	30	9
0000.70139	1.1	2	0370.98.610	34	16	0647.29.040	12	15	0670.16.150	3	3	0691.91.010	30	10
0011.52.010	10	23	0370.98.765	33	14	0647.70.010	14	12	0670.16.155	3	19	0691.91.030	18	16
00A0.53548	29	5	0370.98.880	40	19	0647.70.010	15	20	0670.16.163	3	11	0723.92.239	14	19
00A0.55757	29	15	0370.99.013	32	29	0659.16.558	4	1	0670.16.164	3	11	0723.92.239	15	16

**INDEX**

CODE No.	Drwg.	POS. N.	CODE No.	Drwg.	POS. N.	CODE No.	Drwg.	POS. N.	CODE No.	Drwg.	POS. N.	CODE No.	Drwg.	POS. N.
0727.92.239	14	17	117.1.001.2A	4	29	172.1.002.1B	3	10	211.1.003.4A	14	22	247.1.104.1A	9	2
0727.92.239	15	14	117.1.028.1A	31	30	172.1.003.1C	3	8	211.1.003.4A	15	7	247.1.125.1A	21	6
0755.29.025	6	17	117.2.027.1A	30	14	172.1.004.1C	3	5	220.2.017.6A	35	10	250.2.030.2A	9	5
0755.29.025	8	21	120.2.051.1A	7	4	172.1.005.1C	3	9	220.3.208.3A	9	16	254.1.001.1A	11	7
0755.49.265	10	2	120.2.052.1A	7	8	172.1.006.1B	3	18	225.2.039.3B	10	1	254.4.001.1A	5	4
0759.49.280	9	15	121.1.040.1A	7	3	172.1.007.1B	3	24	235.1.007.3A	13	5	255.1.001.1B	8	15
0765.92.185	14	8	121.2.029.1B	7	11	172.1.008.1C	3	22	235.1.008.1A	13	11	255.1.004.1A	13	3
0765.92.185	15	8	122.2.050.1B	7	9	172.1.009.1C	3	21	235.2.015.1BA	13	20	264.4.014.2B	11	1
0765.92.190	14	8	135.1.008.2A	34	22	172.1.010.1C	3	20	236.1.010.3A	4	26	270.4.001.1A	12	1
0765.92.190	15	8	137.1.003.1B	16	11	172.1.011.1C	3	23	240.1.010.1AB	14	10	276.1.025.1B	12	16
0765.92.205	14	8	145.2.034.1A	6	14	173.1.004.1A	12	20	240.1.010.1AB	15	12	280.4.007.1A	16	10
0765.92.205	15	8	146.2.061.1A	6	1	174.1.002.1A	9	3	240.1.012.1BB	15	24	282.4.022.1A	16	1
0765.92.205	2	21	147.1.015.1A	8	9	174.1.004.1A	9	12	242.2.033.1AB	11	19	283.4.003.1A	16	21
0795.37.120	24	31	148.1.066.1A	13	16	174.2.016.2A	9	1	243.1.025.1AC	5	1	284.4.002.1A	16	2
0796.38.305	22	11	148.1.067.1A	13	22	176.1.001.1A	12	6	243.2.004.1B	5	6	286.4.024.1A	19	11
0797.41.090	22	22	149.1.024.1A	3	25	176.1.002.1A	12	10	245.1.006.1AB	8	6	287.4.014.1A	18	13
0797.69.040	13	2	150.2.006.1A	3	2	180.1.001.1A	2	11	245.1.007.1AB	8	1	287.4.024.1B	16	8
0797.69.040	8	17	150.2.047.1A	3	27	180.1.002.1A	2	12	245.1.008.1AB	8	4	287.4.040.2A	19	13
0797.72.068	23	7	150.2.048.1A	3	28	180.1.008.1A	2	24	245.1.009.1AB	8	8	300160	15	25
0799.13.110	2	27	153.1.003.1A	26	17	182.2.006.2B	2	18	245.1.010.1AB	8	7	301.2.018.1BA	14	1
0803.77.010	25	28	158.2.002.2A	6	5	190.2.001.3A	4	8	246.1.010.1A	30	32	301.2.019.2BA	15	1
0805.17.125	7	7	160.1.004.1B	25	21	194.2.001.2A	4	12	246.1.046.1B	34	23	303.1.003.1A	14	4
0905.49.960	9	20	160.1.013.1B	36	16	195.2.002.3B	4	22	246.1.059.1A	18	7	303.1.003.1A	15	3
0960.91.130	19	16	160.1.057.1A	12	13	196.1.001.1B	4	10	247.1.002.1BB	11	9	303.1.003.1AB	14	4
112.1.001.1A	6	8	162.1.001.1B	4	7	198.1.027.1A	4	13	247.1.083.1AB	11	4	303.1.003.1AB	15	3
112.1.001.1AB	6	8	170.2.023.1A	4	17	210.1.003.5A	14	21	247.1.086.1A	38	7	303.1.003.1AC	14	4
112.1.001.1AC	6	8	171.2.013.1B	8	10	210.1.003.5A	15	6	247.1.098.2A	18	29	303.1.003.1AC	15	3

**INDEX**

CODE No.	Drwg.	POS. N.	CODE No.	Drwg.	POS. N.	CODE No.	Drwg.	POS. N.	CODE No.	Drwg.	POS. N.	CODE No.	Drwg.	POS. N.
303.1.003.1AD	14	4	349.1.065.1A	24	9	373.1.004.1A	32	27	420.2.000.7A	14	23	442.1.042.1B	34	5
303.1.003.1AD	15	3	349.1.095.1A	24	2	374.1.002.1A	32	13	420.2.000.7A	7	13	442.2.041.1B	34	1
303.1.004.1C	14	5	349.1.096.1A	24	16	380.4.004.1B	18	32	420.2.000.8A	2	5	447.1.001.1BB	32	23
303.1.004.1C	15	2	349.1.098.1A	24	11	389.4.006.1A	18	20	420.2.001.0A	20	21	449.1.035.1A	3	12
303.1.004.1CB	14	5	349.1.100.1A	24	5	389.4.007.1A	18	8	420.2.001.0A	27	17	451.1.005.2A	8	24
303.1.004.1CB	15	2	349.1.101.1A	24	18	389.4.008.1A	18	9	420.2.001.0A	28	8	451.1.025.1A	8	20
303.1.004.1CC	14	5	349.1.102.1A	24	20	389.4.010.1A	18	10	420.2.001.0A	29	2	451.2.001.1A	8	23
303.1.004.1CC	15	2	349.1.103.1A	24	21	389.4.014.1A	18	19	420.2.001.0A	36	10	455.2.003.1A	2	4
303.1.004.1CD	14	5	349.1.104.1A	24	23	390.4.003.1A	23	22	420.2.006.2A	10	40	456.2.009.1A	31	27
303.1.004.1CD	15	2	349.1.131.1A	24	22	395.4.001.1A	19	14	420.2.006.4A	10	43	457.2.007.1A	29	9
304.1.005.2A	14	2	349.1.134.1A	24	17	397.4.001.1A	19	3	420.2.006.4A	9	32	460.1.038.3A	31	31
304.1.005.2A	15	5	349.1.135.1A	24	24	401.4.016.1A	21	4	425.4.004.1B	37	12	460.1.039.3A	31	34
304.1.005.2AB	14	2	349.1.136.1A	24	3	402.4.011.1A	21	9	425.4.008.1A	37	4	462.3.003.7A	2	31
304.1.005.2AB	15	5	349.1.137.1A	24	7	403.1.008.2A	21	15	426.1.007.1B	40	9	462.3.003.7A	8	22
304.1.005.2AC	14	2	349.2.010.1A	24	15	406.2.011.1B	21	1	430.4.004.1A	37	2	462.3.003.8A	2	29
304.1.005.2AC	15	5	349.2.014.1A	24	10	407.1.008.1A	21	11	432.1.305.1A	34	13	462.4.037.6A	19	1
304.1.006.2A	14	3	360.1.010.1C	26	8	407.1.009.1A	21	22	433.1.028.1C	5	19	462.4.037.6A	9	11
304.1.006.2A	15	4	360.1.016.1C	26	11	408.1.008.1A	21	3	433.1.164.1A	41	3	462.4.037.8A	9	9
304.1.006.2AB	14	3	360.1.023.1A	26	15	417.5.033.7A	13	23	433.1.166.1A	41	2	463.2.019.6A	7	2
304.1.006.2AB	15	4	365.2.036.1A	33	2	417.6.016.8A	18	28	433.1.170.1A	41	1	463.2.022.2A	16	14
304.1.006.2AC	14	3	366.1.035.1A	24	6	417.6.075.9A	5	3	433.1.232.1A	32	21	463.2.053.7A	4	15
304.1.006.2AC	15	4	369.1.004.1A	32	4	417.6.082.9A	10	26	433.1.241.1A	18	6	463.4.026.9A	4	16
340.2.109.1A	24	1	370.1.002.2C	32	1	417.9.030.6A	29	10	435.1.097.1AA	36	2	463.4.047.7A	5	18
340.2.110.1A	24	4	371.1.003.2BG	33	12	417.9.030.6A	31	14	435.1.097.1AB	36	2	463.7.022.6A	4	20
341.1.017.2A	24	35	372.1.002.2A	33	3	417.9.030.8A	24	28	436.1.097.1HA	30	21	464.1.017.1A	31	7
342.9.013.1A	24	29	373.1.001.1A	32	16	417.9.050.6A	12	3	439.1.002.1A	41	4	464.1.018.1A	31	29
349.1.064.1A	24	8	373.1.002.1A	32	17	417.9.050.6A	19	2	442.1.007.2A	34	3	470.1.031.3CF	30	1

**INDEX**

CODE No.	Drwg.	POS. N.	CODE No.	Drwg.	POS. N.	CODE No.	Drwg.	POS. N.	CODE No.	Drwg.	POS. N.	CODE No.	Drwg.	POS. N.
481.1.023.1AA	39	4	529.1.009.1A	23	19	565.1.019.1B	32	22	592.1.005.2B	37	5	60N102510	22	24
481.1.023.1AB	39	4	530.4.007.1A	22	9	565.1.023.1A	32	30	593.1.003.1B	10	33	60N102510	5	5
481.1.023.1AC	39	4	530.4.008.1A	22	16	570.1.020.1A	20	5	593.1.018.1A	9	29	60N102510	8	28
482.1.031.1GA	30	24	530.4.009.1A	23	14	571.1.018.2A	20	6	595.1.025.1BA	38	1	60N102510	9	10
482.1.033.1BA	30	23	530.4.010.1A	23	10	573.1.050.1A	20	12	595.1.025.1BB	38	1	60N102511	11	17
487.1.023.1A	39	5	532.4.004.1A	22	10	574.1.050.1A	20	16	595.1.025.1BC	38	1	60N102511	18	14
492.4.003.1A	25	15	532.4.004.1A	23	6	575.1.001.1AB	20	3	595.1.036.1A	38	6	60N102511	34	21
492.4.024.1A	25	5	538.4.005.1A	18	11	576.1.021.1A	20	13	595.3.025.1A	38	1	60N102511	35	5
494.1.003.3A	25	23	539.1.023.1A	17	5	576.1.022.1A	20	19	598.2.019.1A	38	19	60N102557	24	30
497.2.001.2A	25	2	539.4.003.1B	29	13	585.1.013.1A	34	18	598.2.029.1A	30	25	60N102584	32	2
501.2.019.1AF	25	1	539.4.008.1D	5	16	585.4.001.1A	29	23	598.4.011.1A	30	30	60N107335	13	10
502.2.022.1AB	25	13	539.4.020.1A	2	6	586.1.031.1AA	36	1	60N101077	31	33	60N107335	22	25
510.1.075.1A	22	5	539.4.021.1A	28	5	586.1.031.1AB	36	1	60N101077	38	25	60N107335	23	24
510.1.076.1B	23	11	540.4.011.1C	18	31	586.1.031.1AC	36	1	60N101079	10	15	60N107335	4	28
510.1.150.1A	21	14	548.4.025.1A	35	9	590.1.125.1A	37	10	60N102482	38	13	60N115035	29	40
510.3.131.1A	18	1	552.4.009.1A	11	25	590.1.126.1A	37	11	60N102505	8	2	60N115506	21	17
514.1.025.2A	19	5	552.4.012.1A	21	21	590.1.127.1A	37	9	60N102509	11	13	60N115548	23	13
516.4.001.1AB	18	23	552.4.013.1A	15	32	590.1.130.1A	16	18	60N102509	13	21	610.4.011.2B	28	26
520.4.006.1C	22	1	552.4.028.1A	1.2	15	590.1.132.1A	16	16	60N102509	14	11	610.4.012.2B	28	7
521.4.005.1A	22	3	556.1.018.1C	17	9	590.1.133.1A	16	7	60N102509	15	13	611.4.002.4A	29	20
523.4.002.1C	26	13	556.1.024.1A	17	3	590.1.134.1A	16	17	60N102509	2	28	612.4.008.1A	28	12
523.4.003.1C	26	10	556.2.027.1A	17	1	590.1.136.1A	37	13	60N102509	22	6	612.4.008.1A	29	31
525.1.004.2A	23	5	561.1.015.1A	23	1	590.1.137.1A	40	12	60N102509	34	20	612.4.014.1A	28	4
525.4.007.2A	23	3	561.1.017.1B	23	20	590.1.138.1A	40	14	60N102509	5	2	612.4.017.1A	28	10
526.4.003.1A	23	4	564.1.031.1A	30	16	590.1.139.1A	40	24	60N102509	8	3	613.4.020.1A	28	25
529.1.001.1A	24	36	565.1.014.1E	23	25	590.1.140.1A	40	21	60N102510	11	6	613.4.031.1A	29	33
529.1.006.1A	23	30	565.1.017.2A	38	20	590.1.141.1A	40	5	60N102510	12	5	618.4.036.1B	28	23

**INDEX**

CODE No.	Drwg.	POS. N.	CODE No.	Drwg.	POS. N.	CODE No.	Drwg.	POS. N.	CODE No.	Drwg.	POS. N.	CODE No.	Drwg.	POS. N.
619.4.013.1E	29	3	672.1.013.1A	18	35	707006N02	35	7	713.1.014.1E	3	15	729910FF1	30	17
624.4.012.1C	28	1	672.1.023.1A	19	17	707008N01	22	18	713.1.014.1F	3	11	732.1.007.1A	38	2
625.4.005.1AB	29	17	672.1.024.1A	19	18	70914.2121	20	17	713.1.032.1A	25	25	732.2.010.2A	38	17
626.4.007.1A	28	2	676.2.035.1A	25	27	710.1.001.1A	9	13	713.1.086.1A	30	33	73270.8001	20	18
626.4.009.1A	27	3	676.4.003.3A	25	29	710.1.002.1A	4	33	713.1.102.1A	18	26	734005N01	11	26
626.4.009.1A	28	3	677.4.002.1A	1.1	4	710.1.005.2A	10	21	713.1.137.1A	15	27	734005N01	3	29
626.4.013.1A	29	35	680.1.001.1B	9	7	710.1.006.1A	25	22	713.1.140.1A	10	14	734005N01	38	24
626.4.014.1A	28	20	697.2.006.1B	38	14	710.1.012.1B	10	30	714.1.028.1A	25	3	734006N01	12	2
626.4.015.1A	27	4	700.1.005.1A	25	18	710.1.032.1A	10	38	714.1.040.1A	25	14	734006N01	38	11
630.4.004.1D	27	1	700.1.011.1A	35	6	710.1.067.1A	26	6	715.1.001.1A	33	8	734008N01	19	21
631.4.004.1A	28	9	700.1.026.1A	19	9	711.1.006.1A	10	32	71502.2594	32	28	734008N01	29	28
631.4.008.1A	27	5	700.4.009.1A	21	16	711.1.007.1A	6	6	716.1.014.1B	18	2	734010N01	28	27
631.4.008.1A	28	21	701.4.003.1A	12	19	711.1.038.1A	29	37	716.1.022.1A	22	13	734010N01	29	25
631.4.008.1A	29	34	701.4.005.1A	3	4	711.1.039.1A	29	38	716.1.022.1A	34	10	734010N01	30	28
631.4.009.1A	27	2	701.4.007.1A	12	21	711.1.072.1A	10	39	716.1.043.1A	40	7	734306N01	10	37
632.1.009.1L	27	18	702.5.008.1A	10	20	711.1.072.1A	26	1	716.1.054.1A	20	22	734306N01	18	27
650.4.006.2A	26	14	702.5.008.1A	11	3	711.1.090.1A	20	20	716.1.055.1A	20	14	734306N01	22	23
651.4.007.2A	26	7	702.5.016.1A	4	14	712.1.008.1A	33	11	716.1.056.1A	31	21	734306N01	30	7
652.4.004.3A	30	4	702.5.017.1A	10	12	712.1.013.1A	36	6	72094.1616	10	10	734306N01	35	3
654.2.008.1A	26	16	703.1.019.1A	15	30	712.4.005.1A	29	36	72121.2106	6	4	734306N01	38	10
655.2.002.1A	26	4	70610.8120	4	11	713.1.006.1A	13	6	723.1.003.1A	22	4	734306N01	5	22
656.1.026.1A	26	9	70620.5212	11	22	713.1.011.1A	3	15	72944.1542	13	1	734310N01	28	28
658.4.002.1B	26	21	70620.5212	16	26	713.1.012.1B	4	31	72944.1542	8	18	734310N01	32	7
669.1.003.1A	14	18	70621.0150	33	9	713.1.014.1A	3	11	729905FN1	23	16	73500.1237	12	7
669.1.003.1A	15	15	70700.6208	7	14	713.1.014.1A	3	15	729906FN1	23	12	73500.1237	9	25
670.4.008.1A	18	39	70700.6N02	27	10	713.1.014.1B	3	11	729908FN1	16	15	73500.1440	12	11
672.1.006.1A	4	27	707006N02	28	19	713.1.014.1E	3	11	729908FN1	32	11	73500.1542	2	35

**INDEX**

CODE No.	Drwg.	POS. N.	CODE No.	Drwg.	POS. N.	CODE No.	Drwg.	POS. N.	CODE No.	Drwg.	POS. N.	CODE No.	Drwg.	POS. N.
73500.1747	15	26	741.4.063.1A	40	11	75162.2566	25	24	764.1.015.1A	30	27	771.5.064.2B	11	5
73503.3075	5	11	741.4.066.1A	37	14	75163.3268	25	17	764.1.029.1A	18	3	771.5.064.2B	30	31
73503.3380	10	18	74172.1008	13	15	75166.1238	8	25	764.1.029.1A	30	2	771.5.072.2B	10	31
73503.3380	11	2	74172.1008	6	10	75173.1542	13	19	764.1.029.1A	38	27	771.5.072.2B	5	23
73503.3449	16	22	74172.1008	8	13	75191.3380	10	29	764.1.029.1A	40	2	771.5.073.2B	11	16
737.4.002.1A	8	19	74223.1045	34	8	75791.1747	10	9	76400.0004	10	3	771.5.075.2B	26	5
741.1.003.1A	20	8	74224.0570	4	34	75794.1542	10	17	76400.1514	33	7	771.5.078.2B	12	12
741.1.012.1A	18	17	74224.0570	6	7	758.1.014.1A	22	14	76401.0002	31	16	771.5.078.2B	5	20
741.1.013.1A	18	40	747.5.001.1A	31	24	758.1.020.1A	30	34	76401.0003	31	23	771.5.080.2B	10	27
741.1.019.1A	24	25	747.5.002.1A	21	13	759.1.006.1A	19	6	76401.0006	33	13	771.5.122.2B	2	30
741.4.001.1A	40	18	748.1.008.1A	25	12	760.1.003.1A	34	7	76401.0014	29	39	771.5.122.2B	8	27
741.4.002.1A	34	14	748.1.014.1B	25	26	760.1.012.2A	32	12	76402.0002	3	17	771.5.129.2B	9	8
741.4.004.1A	16	5	748.4.024.1A	25	20	760.4.006.1A	36	5	765.1.001.1A	29	8	771.5.136.2B	10	24
741.4.004.1A	37	8	748.4.026.1B	19	10	76266.2668	10	4	765.1.001.1A	31	28	771.5.268.2B	18	21
741.4.008.2A	37	7	749.4.045.2G	17	10	76267.0012	9	24	766.1.001.2B	10	6	771.5.431.2B	28	6
741.4.020.1A	23	2	749.5.001.1A	23	17	76270.0827	3	31	76835.1134	2	10	771.5.617.2B	23	27
741.4.038.1A	18	18	750.1.002.1B	4	35	763010N01	32	25	770.5.687.2C	33	4	771.5.669.2B	27	6
741.4.040.1A	16	9	750.1.010.1A	33	5	763010N01	33	1	771.1.001.1A	32	6	771.5.669.2B	28	24
741.4.041.1A	16	6	750.1.012.2A	6	16	763106N01	31	17	771.4.006.1A	11	14	771.5.723.2B	25	7
741.4.042.1A	16	3	750.5.001.1A	2	23	763108N01	29	42	771.5.001.2B	26	12	771.5.723.2B	29	27
741.4.043.1A	27	14	750.5.001.1A	22	17	764.1.001.1A	20	9	771.5.004.2B	32	14	771.5.724.2B	29	26
741.4.043.1A	28	16	750.5.001.1A	23	9	764.1.003.1B	4	6	771.5.040.0C	3	14	771.5.754.2B	17	2
741.4.043.1A	29	4	75110.1747	13	8	764.1.009.1A	14	20	771.5.040.2B	11	21	772.5.023.1A	18	24
741.4.057.1A	40	13	75110.2054	13	13	764.1.009.1A	15	21	771.5.040.2B	36	13	772.5.023.1A	23	21
741.4.058.1A	40	10	75113.2566	4	18	764.1.010.1A	30	26	771.5.040.2B	8	5	772.5.023.1A	26	20
741.4.059.1A	40	15	75143.3380	10	25	764.1.013.1A	14	6	771.5.043.2B	4	4	772.5.023.1A	29	18
741.4.062.1A	32	8	75162.2566	25	4	764.1.013.1A	15	22	771.5.045.7E	36	14	772.5.023.1A	30	6



**INDEX**

CODE No.	Drwg.	POS. N.	CODE No.	Drwg.	POS. N.	CODE No.	Drwg.	POS. N.	CODE No.	Drwg.	POS. N.	CODE No.	Drwg.	POS. N.
772.5.023.1A	30	15	779.1.026.1A	9	23	779.5.007.1A	36	19	799.1.025.1A	2	20	8000.59572	19	7
772.5.023.1A	34	9	779.1.037.1A	32	18	779.5.010.1A	38	9	799.1.044.1A	29	6	8000.60683	31	1
772.5.023.1A	36	24	779.1.039.1A	2	3	779.5.012.1A	24	32	799.1.049.1A	2	1	8000.60700	31	6
772.5.024.1A	33	16	779.1.054.1AA	29	7	779.5.018.1A	20	24	799.1.051.2A	6	15	8000.62568	31	13
772.5.024.1A	34	17	779.1.058.1A	27	16	780.1.006.1A	9	31	799.1.055.1A	9	30	8000.62655	31	12
772.5.025.1A	29	21	779.1.058.1A	28	11	780.1.007.1A	20	7	799.1.061.1A	14	7	8000.62705	36	9
774.4.001.1A	21	7	779.1.058.1A	29	1	780.1.016.1A	6	3	799.1.061.1A	15	9	8000.62729	10	35
774.5.002.1A	34	2	779.1.082.1A	27	19	786.1.047.1A	7	6	799.1.088.1A	17	7	8000.62729	16	20
77499.3421	10	19	779.1.088.1A	39	7	787.1.008.1A	15	29	799.1.089.1A	17	6	8000.62732	29	44
77499.3421	11	12	779.1.092.1A	27	7	787.1.009.1A	9	18	799.1.103.1A	40	17	8000.63150	30	22
775.1.002.1A	30	19	779.1.092.1A	28	17	788.1.003.1B	11	24	799.1.105.1A	40	22	8000.63161	30	20
775.1.006.1A	19	20	779.1.093.1A	31	19	788.1.012.1A	11	24	799.2.077.1A	9	14	8000.66308	40	3
775.1.013.1A	18	33	779.1.098.1B	21	18	788.1.013.1A	11	24	8000.18048	22	12	8000.66774	26	19
776.4.002.1A	21	2	779.1.099.1A	24	27	788.1.027.1A	34	4	8000.18048	34	11	8000.68490	28	14
776.5.032.2A	16	13	779.1.104.1A	38	8	788.1.032.2A	14	9	8000.20602	21	8	8000.70127	24	12
777.5.019.7E	36	4	779.1.109.1A	6	2	788.1.032.2A	15	11	8000.36230	23	15	8000.70133	24	14
777.5.036.2B	38	18	779.1.119.2A	32	19	788.1.052.1A	5	21	8000.36726	22	2	8000.74049	25	9
777.5.049.2C	11	10	779.1.133.1A	14	24	788.1.054.1A	12	4	8000.36726	23	23	8000.77921	36	11
777.5.210.2A	26	3	779.1.162.1A	9	27	788.1.055.1A	5	7	8000.44240	20	15	8000.78345	26	18
779.1.001.1A	30	11	779.1.178.1A	31	3	789.1.001.1A	37	6	8000.44240	38	21	801.1.023.1A	16	28
779.1.002.1B	32	9	779.1.195.1A	39	3	791.1.015.1A	36	18	8000.56359	39	6	801.1.024.1A	16	4
779.1.005.1A	33	6	779.4.005.1A	17	4	791.1.021.1A	38	3	8000.56391	32	32	802.1.005.1A	36	17
779.1.007.2A	6	9	779.5.001.1A	31	25	791.1.022.1A	21	5	8000.56391	38	16	80A0.53548	31	26
779.1.008.1A	40	1	779.5.001.1A	9	6	791.1.036.1A	19	15	8000.56443	27	13	80B0.55703	30	8
779.1.009.1A	18	4	779.5.003.1A	20	11	791.1.039.1A	36	20	8000.56750	21	10	80C0.05893	36	7
779.1.014.1A	30	13	779.5.004.1A	36	12	791.2.003.1A	7	12	8000.59056	31	22	815.1.005.1A	10	42
779.1.026.1A	10	41	779.5.005.1A	9	33	799.1.012.1A	4	25	8000.59485	31	20	815.1.005.1A	35	4

**INDEX**

CODE No.	Drwg.	POS. N.	CODE No.	Drwg.	POS. N.	CODE No.	Drwg.	POS. N.	CODE No.	Drwg.	POS. N.	CODE No.	Drwg.	POS. N.
818.2.009.1A	4	3	827.2.134.1A	36	22	841.1.017.1A	22	19	852.1.108.1AL	3	1	877.1.049.1A	27	15
819.1.017.1A	25	8	829.1.021.2A	37	1	841.1.018.1A	20	25	852.1.108.1AN	3	1	877.1.053.1A	19	19
819.1.024.1A	25	16	829.1.061.1C	27	9	841.1.028.1A	35	8	852.1.111.1A	2	5	877.1.069.1A	28	13
821.1.001.1A	2	26	829.1.109.1A	35	1	847.4.002.1A	31	9	852.1.112.1A	6	11	877.1.071.1A	29	16
821.1.009.1B	25	19	829.1.113.2A	18	5	850.1.005.1A	29	11	852.1.118.1A	20	23	877.2.045.1A	34	6
821.1.025.1A	29	45	829.1.124.2A	10	36	850.4.016.1A	38	4	852.1.119.1A	21	12	881.1.010.1C	12	18
821.1.028.2B	36	8	829.1.127.1A	19	12	851.1.001.1B	4	9	852.5.001.1A	23	18	881.1.012.1A	2	32
821.1.070.1A	2	17	829.1.132.1B	28	22	851.4.001.1A	4	5	852.5.003.1A	34	12	881.1.023.1A	22	21
821.1.090.1A	31	4	829.1.136.1A	23	29	852.1.001.1A	32	3	856.1.001.1A	3	6	881.1.028.1A	18	30
824.1.023.1A	31	18	829.1.194.1A	22	7	852.1.002.1A	32	3	856.1.002.1A	13	4	881.1.030.1A	5	25
824.1.024.1A	31	8	829.1.230.1A	19	8	852.1.005.1A	2	14	856.1.002.1A	8	16	881.2.001.1A	4	19
825.1.011.1A	29	24	829.1.235.1A	15	31	852.1.008.1A	5	10	856.1.024.1A	10	7	882.1.003.1A	8	14
826.1.003.1A	10	11	829.1.236.1A	38	26	852.1.053.1A	2	2	856.1.030.1A	24	34	882.1.006.1A	2	16
826.1.009.1A	2	33	829.1.250.1A	33	15	852.1.065.1A	31	2	856.1.031.1A	3	16	884.1.005.1A	24	26
826.1.011.1A	3	13	829.1.256.1A	18	12	852.1.076.2A	6	11	856.1.042.1A	30	5	884.4.001.1A	25	11
827.1.029.1A	32	34	829.1.272.1A	21	19	852.1.077.2A	6	11	863.1.002.1A	12	14	884.4.007.1A	32	24
827.1.083.1A	32	26	829.1.273.1A	21	20	852.1.078.2A	6	11	866.1.037.1A	36	23	884.4.011.1A	7	10
827.1.096.1A	38	15	829.2.234.1B	19	4	852.1.079.1A	32	15	866.1.039.2A	36	3	884.4.012.1A	37	3
827.1.097.1A	38	5	829.2.237.1A	38	12	852.1.094.1A	2	19	872.1.002.1A	30	12	886.4.011.1A	36	21
827.1.135.1A	29	43	830.1.091.2A	16	19	852.1.096.1A	30	29	872.1.008.1A	30	18	886.4.021.1A	16	24
827.1.139.1B	17	8	830.1.094.1A	22	8	852.1.099.1A	31	11	872.1.019.1A	32	5	886.4.022.1A	16	23
827.1.157.1A	40	6	830.1.144.1A	11	20	852.1.100.1A	6	11	873.1.016.1C	24	33	886.4.028.1A	15	28
827.1.161.1A	31	10	830.1.195.1A	22	20	852.1.101.1A	6	11	875.1.025.2B	35	11	88700.5644	1	14
827.1.182.1A	23	26	830.2.201.1A	39	1	852.1.105.1AB	3	26	875.1.026.2B	35	2	88700.5665	1	11
827.1.186.1A	40	4	830.2.202.1A	39	8	852.1.105.1AD	3	26	876.1.050.1A	34	15	88700.5749	1	22
827.1.191.1A	23	28	841.1.002.2A	4	2	852.1.105.1AG	3	26	876.1.072.1A	34	19	88713.0120	1	2
827.1.193.1A	16	27	841.1.017.1A	18	22	852.1.108.1AH	3	1	877.1.044.1B	29	41	88713.0123	1	9

**INDEX**

CODE No.	Drwg.	POS. N.	CODE No.	Drwg.	POS. N.	CODE No.	Drwg.	POS. N.	CODE No.	Drwg.	POS. N.	CODE No.	Drwg.	POS. N.
88713.0137	1	6	88765.1073	1.2	21	893.4.005.1A	27	11	93827.0114	5	12			
88713.0143	1	7	88765.1074	1.2	21	893.4.005.1A	29	22	93827.0114	9	22			
88713.0144	1	12	88765.1075	1.2	21	895.4.001.2A	36	15	94247.0014	10	5			
88713.0146	1	1	88765.1076	1.2	21	8A00.67997	32	10	94247.0014	11	15			
88713.0262	1	13	88765.1077	1.2	21	8A00.69056	24	13	98112.0002	1	8			
88713.0957	1.1	7	88765.1086	1	26	8H00.67545	39	2						
88713.1010	1	19	88765.1126	1.2	6	913.7.060.1D	38	23						
88713.1072	1.1	6	88765.1126A	1.2	4	914.7.023.1A	1.2	2						
88713.1091	1	25	88765.1126B	1.2	12	914.7.023.1B	1.2	2						
88713.1096	1.1	8	88765.1126C	1.2	11	914.7.023.1C	1.2	2						
88713.1139	1	4	88765.1126D	1.2	14	914.7.023.1D	1.2	2						
88713.1215	1	10	88765.1126E	1.2	9	914.7.023.1E	1.2	2						
88713.1332	1	21	88765.1126F	1.2	13	930.1.005.1A	24	19						
88713.1344	1.1	3	88765.1126G	1.2	17	930.4.009.1A	4	24						
88713.1419	1	5	88765.1126H	1.2	16	93783.0812	3	30						
88713.1502	1	24	88765.1126L	1.2	19	93783.1524	11	11						
88713.1515	1.1	5	88765.1126M	1.2	18	93783.2552	10	13						
88765.0968	1	20	88765.1126N	1.2	7	93784.2030	5	9						
88765.1000	1	18	88765.1126P	1.2	10	93785.0822	4	23						
88765.1005	1	18	88765.1126Q	1.2	5	93785.1830	10	16						
88765.1006	1	18	88765.1126R	1.2	3	93823.0128	4	32						
88765.1058	1	23	88765.1126S	1.2	22	93823.2018	4	30						
88765.1068	1.1	1	88765.1126T	1.2	23	93823.2037	7	5						
88765.1069	1.1	1	88765.1126U	1.2	20	93823.2056	11	23						
88765.1070	1.1	1	88765.1126V	1.2	8	93823.2082	5	14						
88765.1071	1.1	1	88765.1126Z	1.2	1	93823.2131	11	8						
88765.1072	1.1	1	893.1.005.1A	5	15	93827.0114	10	28						

***Spare parts catalogue MONSTER 900S i.e. U.S.A***

***DUCATI*** *MONSTER*



<i>DUCATIMOTOR</i>	●	<i>Monster 900S i.e.</i>	<i>M.Y. '00</i>	<i>U.S.A.</i>
<i>Spare Sparts Department</i>		<i>P.N. 91511101A</i>	<i>Maggio - May '00</i>	<i>Edizione - Edition 01</i>
<i>DUCATIMOTOR</i>	●	<i>Monster 900S i.e.</i>	<i>M.Y. '00</i>	<i>U.S.A.</i>
<i>Spare Sparts Department</i>		<i>P.N. 91511101A</i>	<i>Maggio - May '00</i>	<i>Edizione - Edition 01</i>
<i>DUCATIMOTOR</i>	●	<i>Monster 900S i.e.</i>	<i>M.Y. '00</i>	<i>U.S.A.</i>
<i>Spare Sparts Department</i>		<i>P.N. 91511101A</i>	<i>Maggio - May '00</i>	<i>Edizione - Edition 01</i>
<i>DUCATIMOTOR</i>	●	<i>Monster 900S i.e.</i>	<i>M.Y. '00</i>	<i>U.S.A.</i>
<i>Spare Sparts Department</i>		<i>P.N. 91511101A</i>	<i>Maggio - May '00</i>	<i>Edizione - Edition 01</i>